



Project:

Catalog#:

Notes:

Date:

Type:

LED ULTRA-THIN UFO HIGH BAY LIGHT



APPLICATIONS

- EXTERIOR WALLS
- AIRPORTS
- FACTORY
- OFFICE BUILDINGS
- LANDSCAPING
- FAST FOOD RESTAURANTS
- SCHOOLS
- CITY HALL
- CHURCHES
- HISTORICAL AREAS
- HOTELS
- OTHER OUTDOOR APPLICATIONS



KEY FEATURES

CONSTRUCTION

Slim UFO High Bay Luminaire body is die-cast Aluminum housing finished with Black corrosion-free powder coating. IP65 Rated for dry & water resistant for wet locations. 3' Cord built in with IP67 Connectors.

OPTICAL SYSTEM

Shatterproof Type I Optics come standard and projects light into a wide open space evenly. Fully sealed against dirt & bugs. Philips 3030 feature sets the perfect light.

CERTIFICATION

ETL/cETL and DLC Premium Listed, FCC compliant; with LM79 & LM80, IP65 Rated.

ELECTRICAL

Luminaire is available in 100W/150W/200W/240W/300W High lumen efficacy 130+lm/W, 0-10V Dimming, Isolated Driver Universal 100-277VAC, 50/60Hz. Optional 347-480VAC available.

INSTALLATION

Easy hook installation or optional Yoke Mount. 0-10V Dimming Wires are Purple & Grey. Flicker free. CCT: 4000K / 5000K.

WARRANTY

Industry leading Five (5) year manufacturer warranty in the USA..

ORDERING

MODEL NUMBER(S)

MODEL NUMBER	POWER	LUMENS PER WATT	LUMENS	COLOR TEMPERATURE	CRI	LIFE HOURS
HG-HL-100-R	100 Watts	130 lm/W	13,848 LM	4000K / 5000K	80+	50,000
HG-HL-150-R	150 Watts	130 lm/W	20,780 LM	4000K / 5000K	80+	50,000
HG-HL-200-R	200 Watts	130 lm/W	27,257 LM	4000K / 5000K	80+	50,000
HG-HL-240-R	240 Watts	130 lm/W	32,533 LM	4000K / 5000K	80+	50,000
HG-HL-300-R	300 Watts	130 lm/W	40,077 LM	4000K / 5000K	80+	50,000

100W LED ULTRA-THIN UFO HIGH BAY LIGHT

PERFORMANCE DATA



ACCESSORIES



U-Shaped Yoke Mount

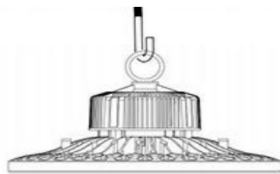
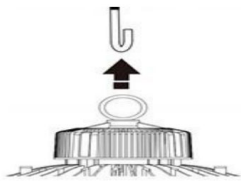
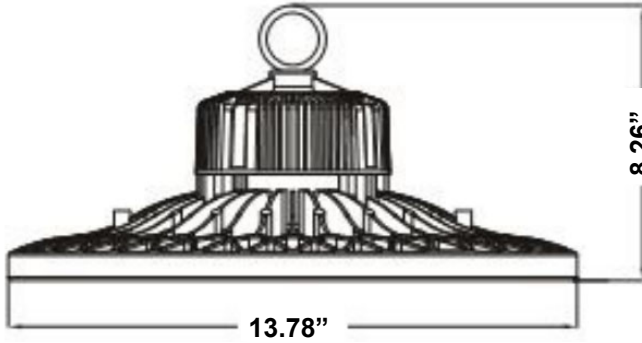


EM Battery Backup

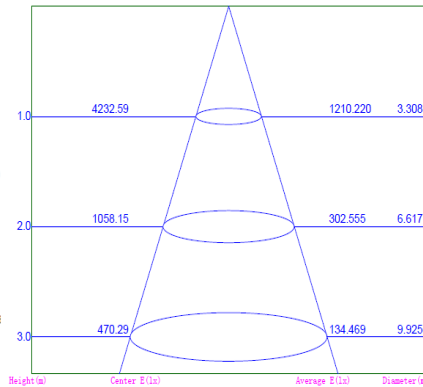
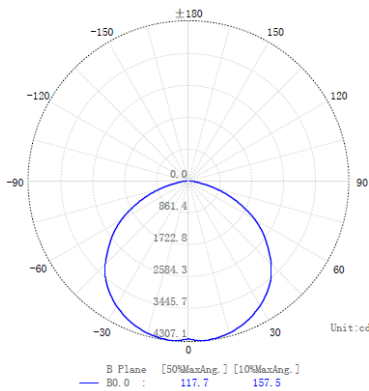


Bi-Level Occupancy Sensor

DIMENSIONS



PHOTOMETRICS



DLC LISTING

Model# HG-HL-100W-R(5000K)		11	
Manufacturer: Shenzhen City Huaguan Optoelectronic Technology Co., Ltd Brand: HG Technical Requirements Version: 4.4 Date Qualified: 12/16/2016 Product ID: P7Y9A1S			
Classification Main: Indoor Luminaires General Application: High-Bay Primary Use: High-Bay Luminaires for Commercial and Industrial Buildings System Type: AC Classification: Premium Is Parent Product: Yes DLC Family Code: PPRP0P Listing Status: Listed			
Tested Data	Reported Data	Zonal Lumens	Spacing Criteria
Light Output: 13940 lm Wattage: 99.4 W Efficacy (AC): 139.32 lm/W Power Factor: 0.96 CCT: 5000 K CRI: 82 Total Harmonic Distortion: 10.53 %			

150W LED ULTRA-THIN UFO HIGH BAY LIGHT

PERFORMANCE DATA



ACCESSORIES



U-Shaped Yoke Mount

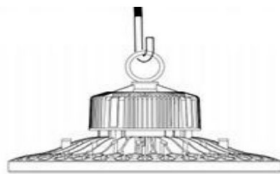
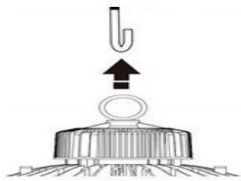
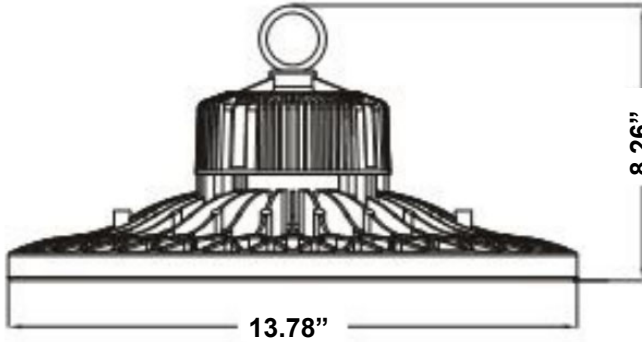


EM Battery Backup

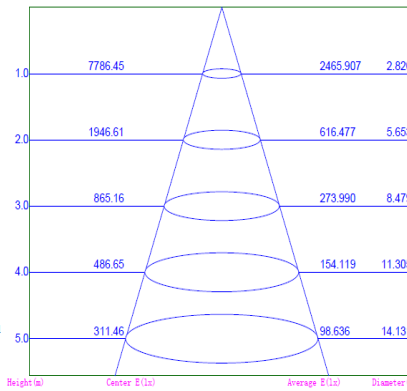
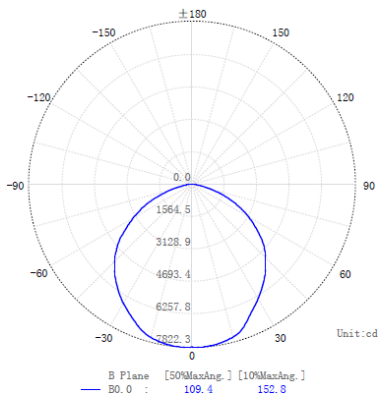


Bi-Level Occupancy Sensor

DIMENSIONS



PHOTOMETRICS



MODEL TECHNICAL SUMMARY

HG-HL-150W-50K-R

INPUT WATTS	150 Watts
INPUT VOLTAGE	AC 120-277V
POWER FREQUENCY	50 / 60 HZ
EFFICACY	130 lm/W
LED CHIPS	PHILIPS LEDS
LED DRIVER	SOSEN
DELIVERED LUMENS	20,780 LM
COLOR TEMPERATURE	4000K / 5000K
CRI	80+
WORKING TEMPERATURE	-30°C - +54°C
STORAGE TEMPERATURE	-30°C - +60°C
IP RATING	IP65 Rated
CERTIFICATION	ETL CE FCC DLC PREMIUM LISTED
WARRANTY TIME	5 Years
OPTIONAL ACCESSORY	Bi-Level Sensor / EM Backup / Yoke Mount / 480V Driver
DIMMABLE	0-10V Dimmable
BEAM ANGLE	120°
THD	<15%
POWER FACTOR	>0.90
L70 (HOURS)	50,000
DIMENSIONS (L*W*H) INCHES	13.78" * 13.78" * 8.26"

DLC LISTING

Model# HG-HL-150W-R		11	
Manufacturer: Shenzhen City Huaguan Optoelectronic Technology Co., Ltd. Brand: HG Technical Requirements Version: 4.4 Date Qualified: 10/12/2016 Product ID: PSH49970			
Classification Main: Indoor Luminaires General Application: High-Bay Primary Use: High-Bay Luminaires for Commercial and Industrial Buildings System Type: AC Classification: Premium Is Parent Product: Yes DLC Family Code: 9505703X Listing Status: Listed			
Tested Data Light Output: 20780 lm Wattage: 151.1W Efficacy (AC): 137.52 lm/W Power Factor: 0.94 CCT: 5000K CRI: 82.1 Total Harmonic Distortion: 12.73%	Reported Data Zonal Lumens Spacing Criteria Product Features Version History Family Data	View Notes	

200W LED ULTRA-THIN UFO HIGH BAY LIGHT

PERFORMANCE DATA



ACCESSORIES



U-Shaped Yoke Mount

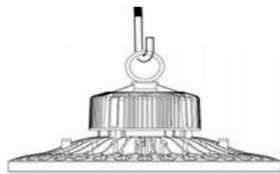
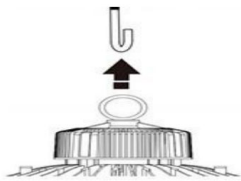
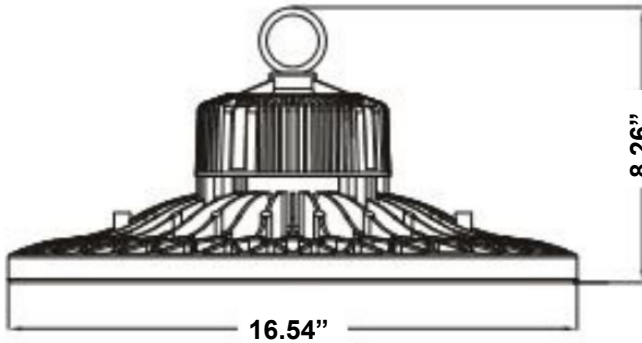


EM Battery Backup

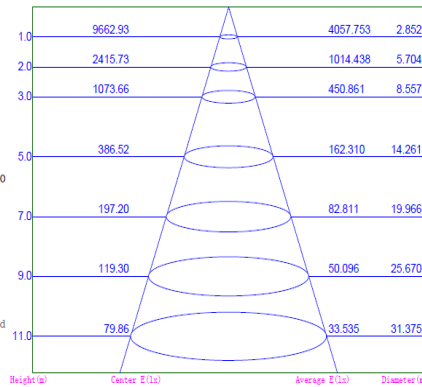
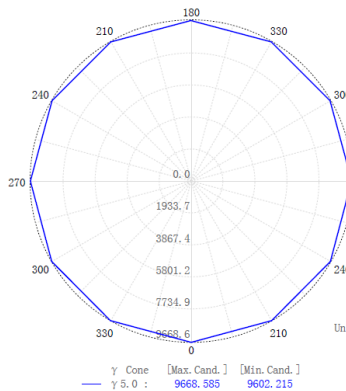


Bi-Level Occupancy Sensor

DIMENSIONS



PHOTOMETRICS



DLC LISTING

Model# HG-HL-200W-R		Classification: Premium		View Notes																																																								
Manufacturer: Shenzhen City Huaguan Optoelectronic Technology Co. Ltd																																																												
Brand: HG																																																												
Technical Requirements Version: 4.4																																																												
Date Qualified: 12/16/2016																																																												
Product ID: P2CTURFC																																																												
<table border="1"> <thead> <tr> <th>Tested Data</th> <th>Reported Data</th> <th>Zonal Lumens</th> <th>Spacing Criteria</th> <th>Product Features</th> <th>Version History</th> <th>Family Data</th> </tr> </thead> <tbody> <tr> <td colspan="7">Light Output: 27257 lm</td> </tr> <tr> <td colspan="7">Wattage: 198.12 W</td> </tr> <tr> <td colspan="7">Efficacy (AC): 137.58 lm/W</td> </tr> <tr> <td colspan="7">Power Factor: 0.9531</td> </tr> <tr> <td colspan="7">CCT: 5000 K</td> </tr> <tr> <td colspan="7">CRI: 82</td> </tr> <tr> <td colspan="7">Total Harmonic Distortion: 0.2%</td> </tr> </tbody> </table>					Tested Data	Reported Data	Zonal Lumens	Spacing Criteria	Product Features	Version History	Family Data	Light Output: 27257 lm							Wattage: 198.12 W							Efficacy (AC): 137.58 lm/W							Power Factor: 0.9531							CCT: 5000 K							CRI: 82							Total Harmonic Distortion: 0.2%						
Tested Data	Reported Data	Zonal Lumens	Spacing Criteria	Product Features	Version History	Family Data																																																						
Light Output: 27257 lm																																																												
Wattage: 198.12 W																																																												
Efficacy (AC): 137.58 lm/W																																																												
Power Factor: 0.9531																																																												
CCT: 5000 K																																																												
CRI: 82																																																												
Total Harmonic Distortion: 0.2%																																																												

240W LED ULTRA-THIN UFO HIGH BAY LIGHT

PERFORMANCE DATA



ACCESSORIES



U-Shaped Yoke Mount

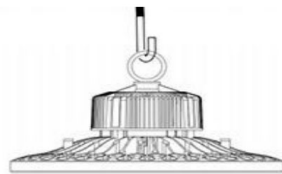
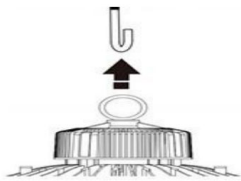
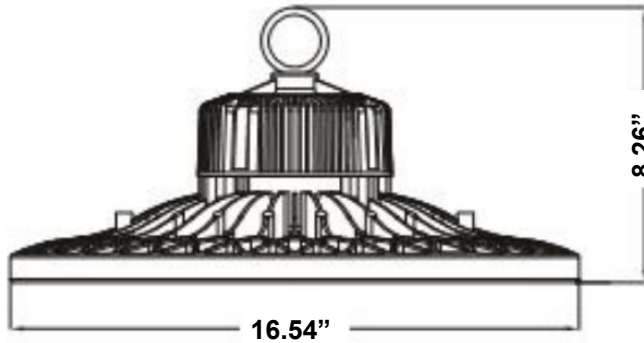


EM Battery Backup

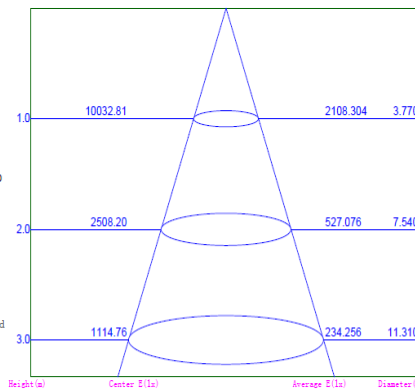
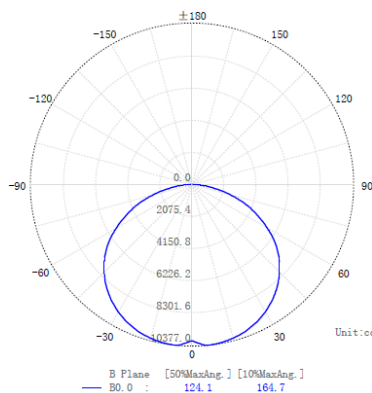


Bi-Level Occupancy Sensor

DIMENSIONS



PHOTOMETRICS



MODEL TECHNICAL SUMMARY

HG-HL-240W-50K-R

INPUT WATTS	240 Watts
INPUT VOLTAGE	AC 120-277V
POWER FREQUENCY	50 / 60 HZ
EFFICACY	130 lm/W
LED CHIPS	PHILIPS LEDS
LED DRIVER	SOSEN
DELIVERED LUMENS	32,533 LM
COLOR TEMPERATURE	4000K / 5000K
CRI	80+
WORKING TEMPERATURE	-30°C - +54°C
STORAGE TEMPERATURE	-30°C - +60°C
IP RATING	IP65 Rated
CERTIFICATION	ETL CE FCC DLC PREMIUM LISTED
WARRANTY TIME	5 Years
OPTIONAL ACCESSORY	Bi-Level Sensor / EM Backup / Yoke Mount / 480V Driver
DIMMABLE	0-10V Dimmable
BEAM ANGLE	120°
THD	<15%
POWER FACTOR	>0.90
L70 (HOURS)	50,000
DIMENSIONS (L*W*H) INCHES	16.54" * 16.54" * 8.26"

DLC LISTING

Model# HG-HL-240W-R

Manufacturer: Shenzhen City Haoguan Optoelectronic Technology Co., Ltd
 Brand: HG
 Technical Requirements Version: 4.4
 Date Qualified: 09/27/2016
 Product ID: P1M13MCS

Classification: Premium
 Is Parent Product: Yes
 DLC Family Code: 0027AS
 Listing Status: Listed

Light Output: 32533.0 lm
 Wattage: 236.94 W
 Efficacy (AC): 137.31 lm/W
 Power Factor: 0.9554
 CCT: 5000 K
 CRI: 81.8
 Total Harmonic Distortion: 6.92 %

300W LED ULTRA-THIN UFO HIGH BAY LIGHT

PERFORMANCE DATA



ACCESSORIES



U-Shaped Yoke Mount

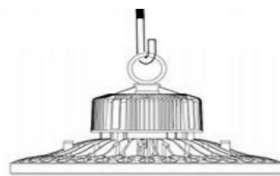
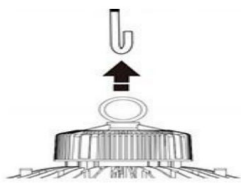
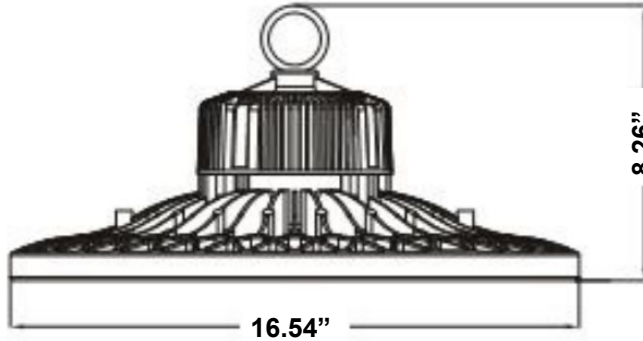


EM Battery Backup

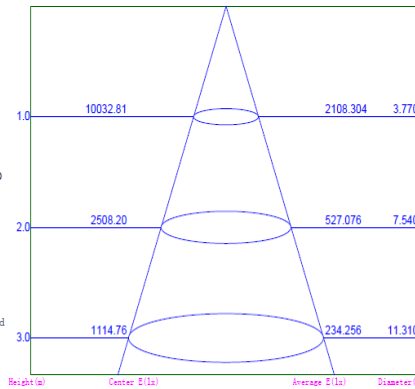
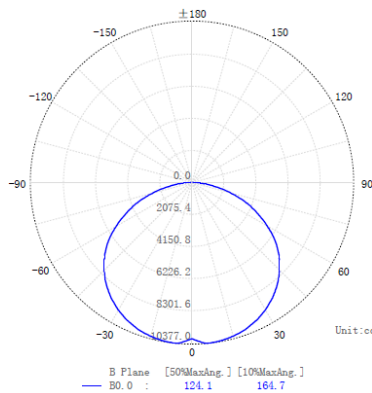


Bi-Level Occupancy Sensor

DIMENSIONS



PHOTOMETRICS



MODEL TECHNICAL SUMMARY

HG-HL-300W-50K-R

INPUT WATTS	300 Watts
INPUT VOLTAGE	AC 120-277V
POWER FREQUENCY	50 / 60 HZ
EFFICACY	130 lm/W
LED CHIPS	PHILIPS LEDS
LED DRIVER	SOSEN
DELIVERED LUMENS	40,077 LM
COLOR TEMPERATURE	4000K / 5000K
CRI	80+
WORKING TEMPERATURE	-30°C - +54°C
STORAGE TEMPERATURE	-30°C - +60°C
IP RATING	IP65 Rated
CERTIFICATION	ETL CE FCC DLC PREMIUM LISTED
WARRANTY TIME	5 Years
OPTIONAL ACCESSORY	Bi-Level Sensor / EM Backup / Yoke Mount / 480V Driver
DIMMABLE	0-10V Dimmable
BEAM ANGLE	120°
THD	<15%
POWER FACTOR	>0.90
L70 (HOURS)	50,000
DIMENSIONS (L*W*H) INCHES	16.54" * 16.54" * 8.26"

DLC LISTING

Model# HG-HL-300W-R1 (6000KL)					11
Manufacturer: UFO LIGHTING INC Brand: HG Technical Requirements Version: 4.4 Date Qualified: 12/05/2019 Product ID: P1707897					
Categorization Main: Indoor Luminaires General Application: High-Bay Primary Use: High-Bay Luminaires for Commercial and Industrial Buildings System Type: AC Classification: Premium Is Parent Product: No DLC Family Code: 555V02 Listing Status: Listed					
Reported Data Zonal Lumens Spacing Criteria Product Features Version History Family Data					
Light Output: 40077.6 lm Default Light Output: 40077.6 lm Wattage: 297.51 W Default Wattage: 297.51 W Voltage Range: 100-277 V Efficacy (AC): 134.71 lm/W Power Factor: 0.9 CCT: 5000 K CRI: 80 Total Harmonic Distortion: 15%					