



Project:	
Catalog#:	
Notes:	Date:
Type:	

SLIM LED SHOEBOX / PARKING LOT / AREA LIGHT



APPLICATIONS

- SHOPPING CENTERS
- AIRPORTS
- PARKING LOTS
- PUBLIC PARKS
- STREET LIGHTS
- LARGE OUTDOOR AREAS
- SCHOOLS
- WALKWAYS
- TENNIS COURTS
- CAR DEALERSHIPS
- BASKETBALL COURTS
- OTHER OUTDOOR APPLICATIONS



KEY FEATURES

CONSTRUCTION

Architectural Slim Die-Cast aluminum housing w/corrosion resistant dark bronze powder coating. Easy to open driver box with available Bi-Level Sensor available. All-In-1 Series. 4 mounting styles suitable for outdoor wet location.

OPTICAL SYSTEM

Type III Lens Optics come standard. High performance Seoul SMD3030 chips. Light distribution is spread even & glare-free over a wide-area. Waterproof LED Chips.

CERTIFICATION

ETL/cETL and DLC Premium, FCC listed; with LM79 & LM80, IP65 Rated.

ELECTRICAL

Luminaire is available in: 100W, 150W, 200W, & 300W. 10KA Surge Protection. 120-277VAC and Shorting Cap included. High lumen efficacy 130lm/w, 0-10V Dimming, Isolated Driver. Optional: 480V/Photocell/Bi-Level Motion Sensor.

INSTALLATION

Easy installation. 4 types of mounting brackets available for various surfaces. No exposed wires for long life performance. Flicker free. CCT: 4000K & 5000K.

WARRANTY

Industry leading Seven (5) year manufacturer warranty in the USA.

ORDERING

MODEL NUMBER(S)

*TYPE III Optics come standard with Luminaire

MODEL NUMBER	POWER	LUMENS PER WATT	LUMENS	VOLTAGE	COLOR TEMPERATURE	OPTICS*	CRI	LIFE HOURS
HG-SL-100W	100 Watts	130 lm/W	13,000	120-277 / 480VAC	4000K / 5000K	TYPE III	72+	50,000
HG-SL-150W	150 Watts	130 lm/W	17,500	120-277 / 480VAC	4000K / 5000K	TYPE III	72+	50,000
HG-SL-200W	200 Watts	130 lm/W	26,400	120-277 / 480VAC	4000K / 5000K	TYPE III	72+	50,000
HG-SL-300W	300 Watts	130 lm/W	36,200	120-277 / 480VAC	4000K / 5000K	TYPE III	72+	50,000

100W LED SHOEBOX/AREA LIGHT SERIES

PERFORMANCE DATA



CONTROLS



BI-Level Sensor Control Module



ON/OFF Photocell



Shorting Cap

MOUNTING TYPES



Slip Fitter



Round Pole

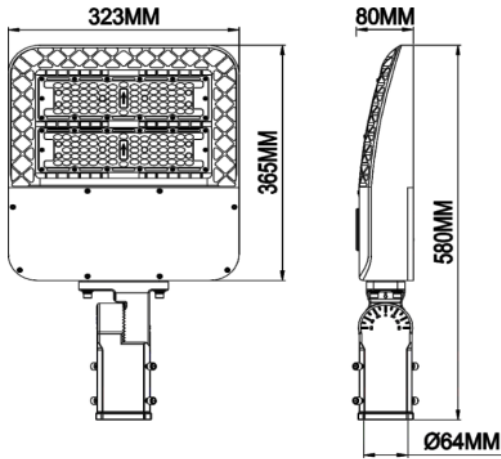


Square Pole

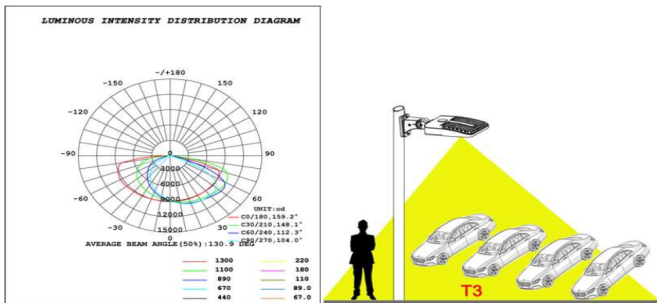


Trunnion

DIMENSIONS



DISTRIBUTION DATA



MODEL TECHNICAL SUMMARY

HG-SL-100W	
INPUT WATTS	100 Watts
INPUT VOLTAGE	AC 120-277V
POWER FREQUENCY	50 / 60 HZ
EFFICACY	130 lm/W
LED CHIPS	SEOUL 3030 LEDS
LED DRIVER	SOSEN
DELIVERED LUMENS	13,000 LM
COLOR TEMPERATURE	4000K / 5000K
CRI	≥72
WORKING TEMPERATURE	-30°C - +50°C
STORAGE TEMPERATURE	-30°C - +70°C
IP RATING	IP65 / Wet Location
CERTIFICATION	ETL CE FCC DLC PREMIUM
WARRANTY TIME	5 Years
OPTIONAL ACCESSORY	BI-Level Sensor / Photocell / 480V
DIMMABLE	0-10V-Dimming
BEAM ANGLE	Type III Optics (standard)
THD	≤10%
SURGE PROTECTION	10KA
POWER FACTOR	>0.95
L70 (HOURS)	50,000
DIMENSIONS (L*W*H) INCHES	12.71" * 14.37" * 3.14"
FINISH	Bronze / White

DLC PREMIUM LISTING

Model# HG-SL-100W-[LV,TV]-YY-[SP,Blank](5000K)(150 degrees)(Qualified Pointed Straight Down)

Manufacturer: Shenzhen City Huaguan Optoelectronic Technology Co. Ltd
Brand: HG
Technical Requirements Version: 4.4
Date Qualified: 07/27/2017
Product ID: P6A2YXXQ2

Categorization

Main: Outdoor Luminaires	Classification: Premium	View
General Application: High Output	Is Parent Product: No	Notes
Primary Use: Outdoor Pole/Arm-Mounted Area and Roadway Luminaires	DLC Family Code: TTTUQL	
System Type: AC	Listing Status: Listed	

Reported Data | Zonal Lumens | Spacing Criteria | Product Features | Version History | Family Data

Light Output: 13143 lm
 Wattage: 102.9W
 Efficacy (AC): 127.73 lm/W
 Power Factor: 0.93
 CCF: 5000K
 CRI: 82.6
 Total Harmonic Distortion: 9.64%

150W LED SHOEBOX/AREA LIGHT SERIES

PERFORMANCE DATA



CONTROLS



BI-Level Sensor Control Module



ON/OFF Photocell



Shorting Cap

MOUNTING TYPES



Slip Fitter



Round Pole

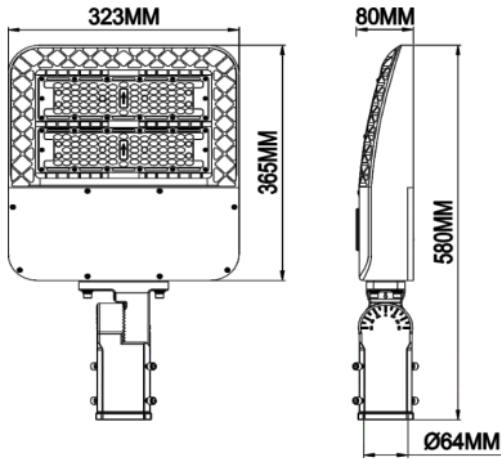


Square Pole

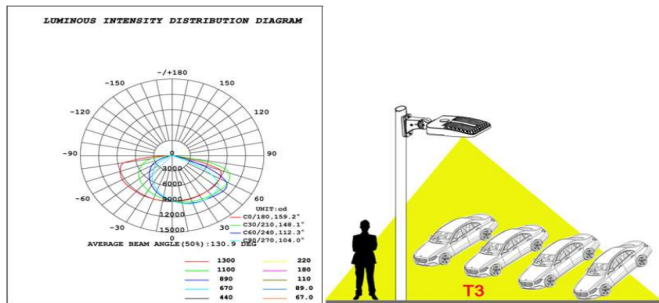


Trunnion

DIMENSIONS



DISTRIBUTION DATA



MODEL TECHNICAL SUMMARY

HG-SL-150W	
INPUT WATTS	150 Watts
INPUT VOLTAGE	AC 120-277V
POWER FREQUENCY	50 / 60 HZ
EFFICACY	130 lm/W
LED CHIPS	SEOUL 3030 LEDS
LED DRIVER	SOSEN
DELIVERED LUMENS	17,500 LM
COLOR TEMPERATURE	4000K / 5000K
CRI	≥72
WORKING TEMPERATURE	-30°C - +50°C
STORAGE TEMPERATURE	-30°C - +70°C
IP RATING	IP65 / Wet Location
CERTIFICATION	ETL CE FCC DLC PREMIUM
WARRANTY TIME	5 Years
OPTIONAL ACCESSORY	BI-Level Sensor / Photocell / 480V
DIMMABLE	0-10V-Dimming
BEAM ANGLE	Type III Optics (standard)
THD	≤10%
SURGE PROTECTION	10KA
POWER FACTOR	>0.95
L70 (HOURS)	50,000
DIMENSIONS (L*W*H) INCHES	12.71" * 14.37" * 3.14"
FINISH	Bronze / White

DLC PREMIUM LISTING

Model# HG-SL-150W-[LV,TV]-YY-D-[SP, Blank][5000K][150 degrees][Qualified Pointed Straight Down]?

Manufacturer: Shenzhen City Huaguan Optoelectronic Technology Co. Ltd
Brand: HGS
Technical Requirements Version: 4.4
Date Qualified: 07/27/2017
Product ID: P8T6E2OU

Classification: Premium
Is Parent Product: No
DLC Family Code: TTTUQM
Listing Status: Listed

Reported Data | Zonal Lumens | Spacing Criteria | Product Features | Version History | Family Data

Light Output: 17531 lm
 Wattage: 144.4 W
 Efficacy (AC): 121.4 lm/W
 Power Factor: 0.92
 CCT: 5000 K
 CRI: 82.5
 Total Harmonic Distortion: 10.47 %

200W LED SHOEBOX/AREA LIGHT SERIES

PERFORMANCE DATA



CONTROLS



BI-Level Sensor Control Module



ON/OFF Photocell



Shorting Cap

MOUNTING TYPES



Slip Fitter



Round Pole

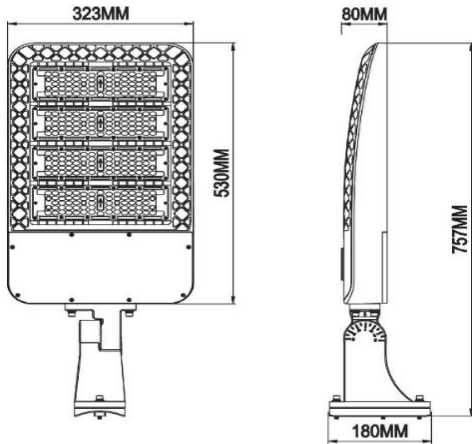


Square Pole

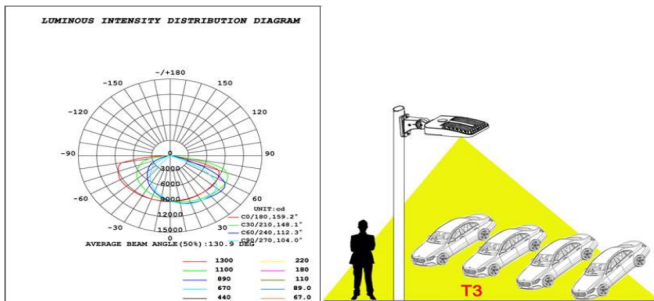


Trunnion

DIMENSIONS



DISTRIBUTION DATA



MODEL TECHNICAL SUMMARY

HG-SL-200W

INPUT WATTS	200 Watts
INPUT VOLTAGE	AC 120-277V
POWER FREQUENCY	50 / 60 HZ
EFFICACY	130 lm/W
LED CHIPS	SEOUL 3030 LEDS
LED DRIVER	SOSEN
DELIVERED LUMENS	26,400 LM
COLOR TEMPERATURE	4000K / 5000K
CRI	≥72
WORKING TEMPERATURE	-30°C - +50°C
STORAGE TEMPERATURE	-30°C - +70°C
IP RATING	IP65 / Wet Location
CERTIFICATION	ETL CE FCC DLC PREMIUM
WARRANTY TIME	5 Years
OPTIONAL ACCESSORY	BI-Level Sensor / Photocell / 480V
DIMMABLE	0-10V-Dimming
BEAM ANGLE	Type III Optics (standard)
THD	≤10%
SURGE PROTECTION	10KA
POWER FACTOR	>0.95
L70 (HOURS)	50,000
DIMENSIONS (L*W*H) INCHES	12.71" * 20.86"* 3.14"
FINISH	Bronze / White

DLC PREMIUM LISTING

Model# HG-SL-200W-[LV,TV]-YY-D-[SP, Blank](5000K) (150 degrees)(Qualified Pointed Straight Down)

Manufacturer: Shenzhen City Huaguan Optoelectronic Technology Co. Ltd
 Brand: HGS
 Technical Requirements Version: 4.4
 Date Qualified: 07/24/2017
 Product ID: P28117RE

Classification: Premium
 Is Parent Product: No
 DLC Family Code: TTTUQJ
 Listing Status: Listed

Reported Data | Zonal Lumens | Spacing Criteria | Product Features | Version History | Family Data

Light Output: 26400 lm
 Wattage: 197.5 W
 Efficacy (AC): 134.08 lm/W
 Power Factor: 0.91
 CCT: 5000 K
 CRI: 82.9
 Total Harmonic Distortion: 12.45 %

300W LED SHOEBOX/AREA LIGHT SERIES

PERFORMANCE DATA



CONTROLS



BI-Level Sensor Control Module



ON/OFF Photocell



Shorting Cap

MOUNTING TYPES



Slip Fitter



Round Pole

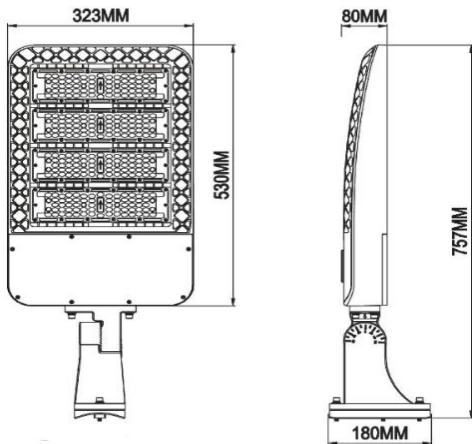


Square Pole

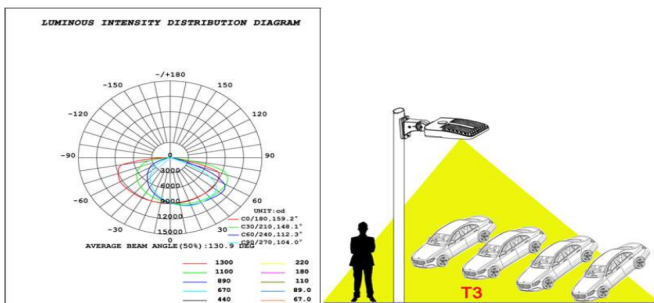


Trunnion

DIMENSIONS



DISTRIBUTION DATA



MODEL TECHNICAL SUMMARY

HG-SL-300W

INPUT WATTS	300 Watts
INPUT VOLTAGE	AC 120-277V
POWER FREQUENCY	50 / 60 HZ
EFFICACY	130 lm/W
LED CHIPS	SEOUL 3030 LEDS
LED DRIVER	SOSEN
DELIVERED LUMENS	36,200 LM
COLOR TEMPERATURE	4000K / 5000K
CRI	≥72
WORKING TEMPERATURE	-30°C - +50°C
STORAGE TEMPERATURE	-30°C - +70°C
IP RATING	IP65 / Wet Location
CERTIFICATION	ETL CE FCC DLC PREMIUM
WARRANTY TIME	5 Years
OPTIONAL ACCESSORY	BI-Level Sensor / Photocell / 480V
DIMMABLE	0-10V-Dimming
BEAM ANGLE	Type III Optics (standard)
THD	≤10%
SURGE PROTECTION	10KA
POWER FACTOR	>0.95
L70 (HOURS)	50,000
DIMENSIONS (L*W*H) INCHES	12.71" * 20.86"* 3.14"
FINISH	Bronze / White

DLC PREMIUM LISTING

Model# HG-SL-300W-TV-YY-D-SP(5000K)(150 degrees)(Qualified Pointed Straight Down)

Manufacturer: Shenzhen City Huiquan Optoelectronic Technology Co. Ltd
 Brand: HG
 Technical Requirements Version: 4.4
 Date Qualified: 06/26/2017
 Product ID: PBQHTECQ

Classification: Premium
 Is Parent Product: No
 DLC Family Code: MUMPKV
 Listing Status: Listed

Reported Data | Zonal Lumens | Spacing Criteria | Product Features | Version History | Family Data

Light Output: 36286 lm
 Wattage: 295.0 W
 Efficacy (AC): 122.73 lm/W
 Power Factor: 0.95
 CCT: 5000 K
 CRI: 82.6
 Total Harmonic Distortion: 10.61 %