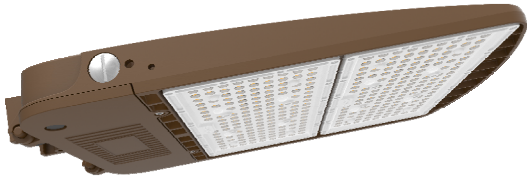




Project:	
Catalog#:	
Notes:	Date:
Type:	

LED SHOEBOX with PHOTOCELL SERIES



APPLICATIONS

- SHOPPING CENTERS
- AIRPORTS
- PARKING LOTS
- PUBLIC PARKS
- STREET LIGHTS
- LARGE OUTDOOR AREAS
- SCHOOLS
- WALKWAYS
- TENNIS COURTS
- CAR DEALERSHIPS
- BASKETBALL COURTS
- OTHER OUTDOOR APPLICATIONS

Round/Square Pole Adapter



Trunnion



Yoke



Slip-Fitter



KEY FEATURES

CONSTRUCTION

Light-weight and durable aluminum housing w/corrosion resistant Bronze, Black, or White powder coating. Easy to open driver box with Built-In Photocell Sensor. Suitable for outdoor windy/wet location. Replaces Street Lights, Flood Lights, Shoebox & Area Lights, and Vapor Lamps reliably.

OPTICAL SYSTEM

Type III Lens Optics come standard. High performance SMD3030 chips. Light distribution is spread even & glare-free over a wide-area. Waterproof Lumileds LED Chips.

CERTIFICATION

UL and DLC Premium Listed, CE, RoHS, FCC listed; with LM79 & LM80, IP65 Rated.

ELECTRICAL

Luminaire is available in: 100W/150W/200W/240W/300W
10KA Surge Protection. 120-277VAC or 347-480VAC
High lumen efficacy 130+lm/W, 0-10V Dimming Driver.
Dusk-to-Dawn Sensor Built-In. 10KV Surge Protection Built-In

INSTALLATION

Easy installation. 2 types of mounting brackets available for various surfaces: Slip-Fitter & Pole Mount(Square / Round). No exposed wires for long life performance. Flicker free. CCT: 5000K.

WARRANTY

Industry leading Five (5) year manufacturer warranty in the USA.

ORDERING

MODEL NUMBER(S)

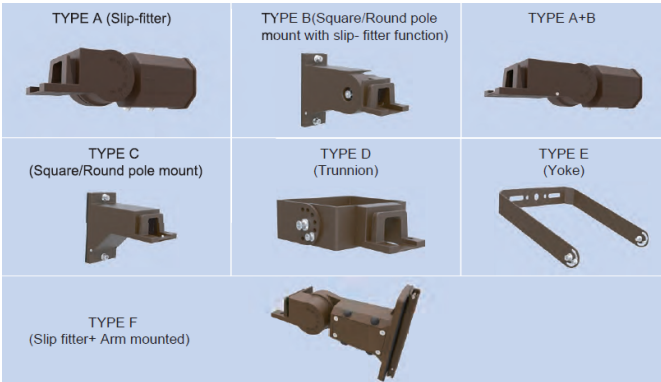
MODEL NUMBER	POWER	LUMENS PER WATT	LUMENS	VOLTAGE	COLOR TEMPERATURE	LENS	CRI	LIFE HOURS
SS-AR07-H3-100W	100 WATTS	130 LPW	13,000 LM	120-277V or 347-480V	50=5000K	T3	80+	50,000HRS.
SS-AR07-H3-150W	150 WATTS	130 LPW	19,500 LM	120-277V or 347-480V	50=5000K	T3	80+	50,000HRS.
SS-AR07-H3-200W	200 WATTS	130 LPW	26,000 LM	120-277V or 347-480V	50=5000K	T3	80+	50,000HRS.
SS-AR07-H3-240W	240 WATTS	130 LPW	31,200 LM	120-277V or 347-480V	50=5000K	T3	80+	50,000HRS.
SS-AR07-H3-300W	300 WATTS	130 LPW	39,000 LM	120-277V or 347-480V	50=5000K	T3	80+	50,000HRS.

100W LED SHOEBOX w/PHOTOCELL SERIES

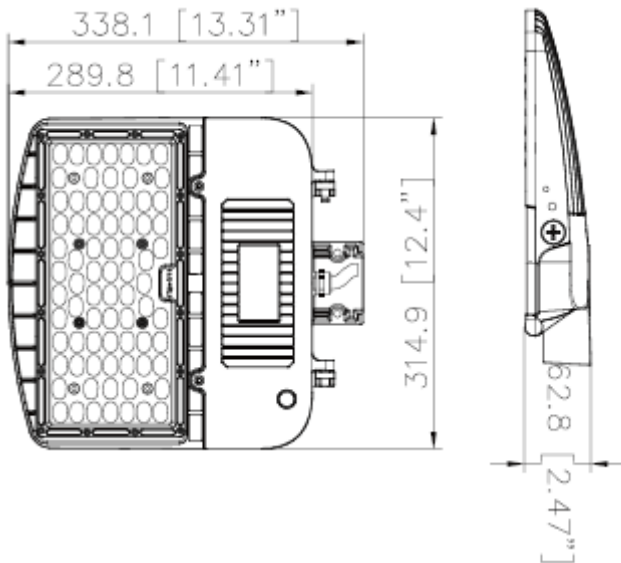
PERFORMANCE DATA



MOUNTING TYPES



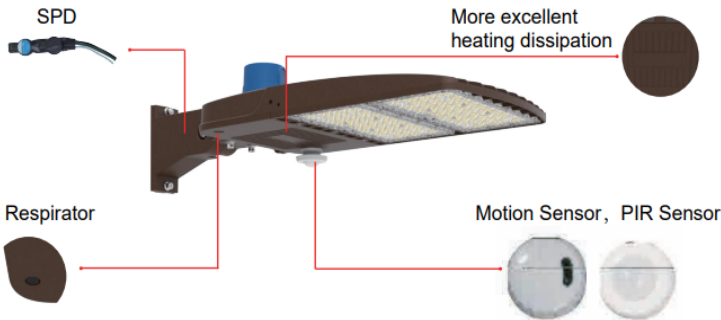
DIMENSIONS



MODEL TECHNICAL SUMMARY

SS-AR07-100W-H3-50K	
INPUT WATTS	100 Watts
INPUT VOLTAGE	120-277V
POWER FREQUENCY	50 / 60 HZ
EFFICACY	130 lm/W
LED CHIPS	LUMILIDS SMD 3030 LEDS
LED DRIVER	CONSTANT POWER
DELIVERED LUMENS	13,000 LM
COLOR TEMPERATURE	50K=5000K
CRI	70+
WORKING TEMPERATURE	-30°C - +50°C
STORAGE TEMPERATURE	-30°C - +70°C
IP RATING	IP66 / Wet Location
CERTIFICATION	UL CE FCC DLC PREMIUM
WARRANTY TIME	5 Years
OPTIONAL ACCESSORY	PC / Bi-Level Microwave Sensor / HV-480V Driver
DIMMABLE	0-10V-Dimming
BEAM ANGLE	Type III Optics (standard)
THD	≤15%
SURGE PROTECTION	10KV
POWER FACTOR	>0.90
L70 (HOURS)	50,000 Hrs.
DIMENSIONS (L*W*H) INCHES	13.31" * 12.40" * 2.47"
COATED FINISH	W=White / B=Black / B=Bronze

New Revolution, No Cover Plate, No Socket Base, No Shorting Cap: Saving 2USD



DLC PREMIUM LISTING



SS-AR07-100W-H3-50K(Blank,(PIR),(PTC),(MS),(PIP))
 Manufacturer: Starsteck Ltd
 Brand: Starsteck

PRODUCT OVERVIEW

Classification	Premium
Primary Use	Outdoor Pole/Arm-Mounted Area and Roadway Luminaires
Reported Input Wattage	100 W
Reported Light Output	13000 lm
Reported CCT	5000 K
Reported CRI (Ra)	80

PRODUCT INFORMATION

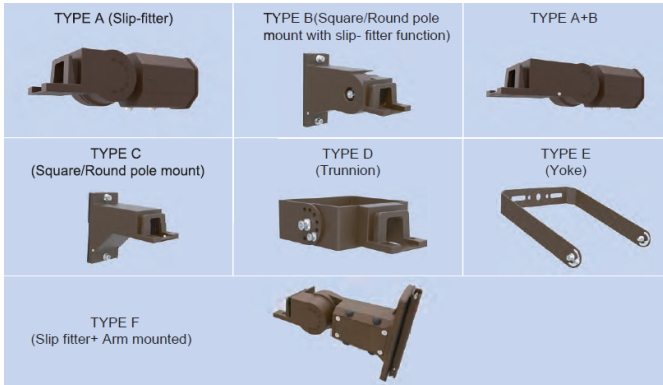
Product ID	PKLVXVR
Manufacturer	Starsteck Ltd
Brand	Starsteck
Model Number	SS-AR07-100W-H3-50K(Blank,(PIR),(PTC),(MS),(PIP))
Parent	No
Classification	Premium
DLC Family Code	00QVDR
Input Power Type	AC

150W LED SHOEBOX w/PHOTOCELL SERIES

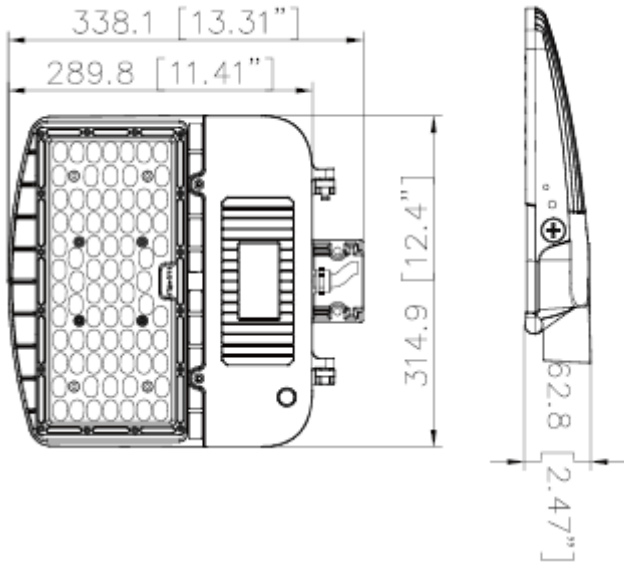
PERFORMANCE DATA



MOUNTING TYPES



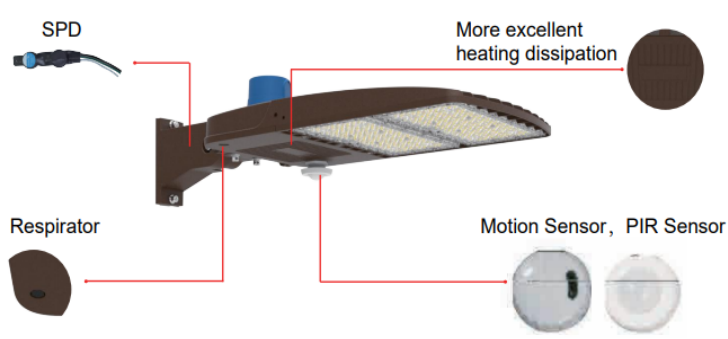
DIMENSIONS



MODEL TECHNICAL SUMMARY

SS-AR07-150W-H3-50K	
INPUT WATTS	150 Watts
INPUT VOLTAGE	120-277V
POWER FREQUENCY	50 / 60 HZ
EFFICACY	130 lm/W
LED CHIPS	LUMILIDS SMD 3030 LEDS
LED DRIVER	CONSTANT POWER
DELIVERED LUMENS	19,500 LM
COLOR TEMPERATURE	50K=5000K
CRI	70+
WORKING TEMPERATURE	-30°C - +50°C
STORAGE TEMPERATURE	-30°C - +70°C
IP RATING	IP66 / Wet Location
CERTIFICATION	UL CE FCC DLC PREMIUM
WARRANTY TIME	5 Years
OPTIONAL ACCESSORY	PC / Bi-Level Microwave Sensor / HV-480V Driver
DIMMABLE	0-10V-Dimming
BEAM ANGLE	Type III Optics (standard)
THD	≤15%
SURGE PROTECTION	10KV
POWER FACTOR	>0.90
L70 (HOURS)	50,000 Hrs.
DIMENSIONS (L*W*H) INCHES	13.31" * 12.40" * 2.47"
COATED FINISH	W=White / B=Black / B=Bronze

New Revolution, No Cover Plate, No Socket Base, No Shorting Cap: Saving 2USD



DLC PREMIUM LISTING

SS-AR07-150W-H3-50K[Blank,(PIR),(PTC),(MS),(PIP)]
 Manufacturer: Starsteck Ltd
 Brand: Starsteck



PRODUCT OVERVIEW	
Classification	Premium
Primary Use	Outdoor Pole/Arm-Mounted Area and Roadway Luminaires
Reported Input Wattage	150 W
Reported Light Output	19500 lm
Reported CCT	5000 K
Reported CRI (Ra)	80

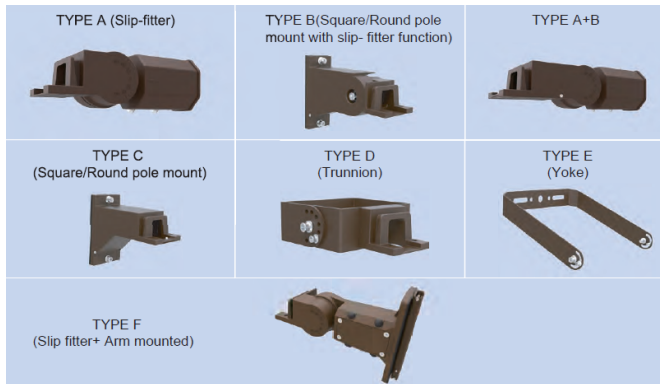
PRODUCT INFORMATION	
Product ID	PKF0SCGF
Manufacturer	Starsteck Ltd
Brand	Starsteck
Model Number	SS-AR07-150W-H3-50K[Blank,(PIR),(PTC),(MS),(PIP)]
Parent	No
Classification	Premium
DLC Family Code	QQQVDR
Input Power Type	AC

200W LED SHOEBOX w/PHOTOCELL SERIES

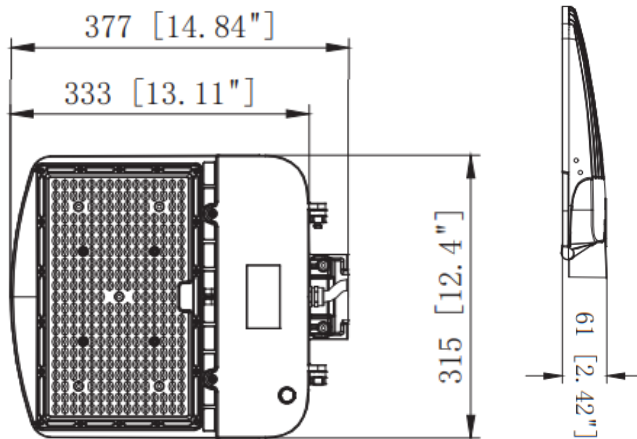
PERFORMANCE DATA



MOUNTING TYPES



DIMENSIONS

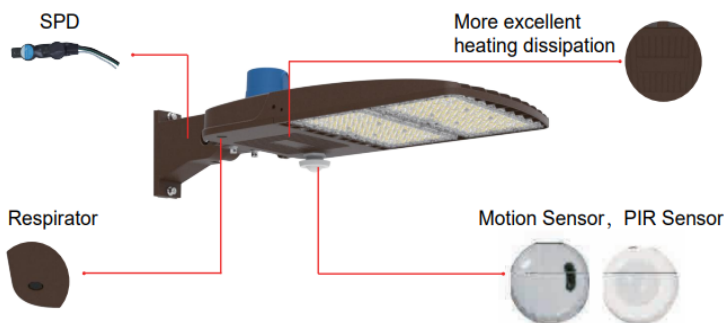


MODEL TECHNICAL SUMMARY

SS-AR07-200W-H3-50K

INPUT WATTS	200 Watts
INPUT VOLTAGE	120-277V
POWER FREQUENCY	50 / 60 HZ
EFFICACY	130 lm/W
LED CHIPS	LUMILIDS SMD 3030 LEDS
LED DRIVER	CONSTANT POWER
DELIVERED LUMENS	26,000 LM
COLOR TEMPERATURE	50K=5000K
CRI	70+
WORKING TEMPERATURE	-30°C - +50°C
STORAGE TEMPERATURE	-30°C - +70°C
IP RATING	IP66 / Wet Location
CERTIFICATION	UL CE FCC DLC PREMIUM
WARRANTY TIME	5 Years
OPTIONAL ACCESSORY	PC / Bi-Level Microwave Sensor / HV-480V Driver
DIMMABLE	0-10V-Dimming
BEAM ANGLE	Type III Optics (standard)
THD	≤15%
SURGE PROTECTION	10KV
POWER FACTOR	>0.90
L70 (HOURS)	50,000 Hrs.
DIMENSIONS (L*W*H) INCHES	14.84" * 12.40" * 2.42"
COATED FINISH	W=White / B=Black / B=Bronze

New Revolution, No Cover Plate, No Socket Base, No Shorting Cap: Saving 2USD



DLC PREMIUM LISTING

SS-AR07-200W-H3-50K(Blank,(PIR),(PTC),(MS),(PIP))

Manufacturer: Starsteck Ltd
Brand: Starsteck



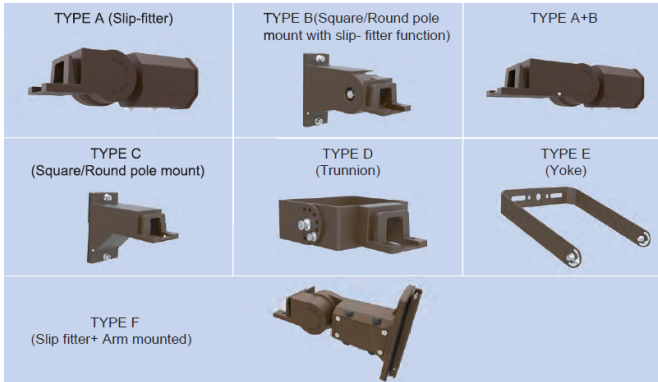
PRODUCT OVERVIEW	PRODUCT INFORMATION
Classification: Premium	Product ID: P38PP28C
Primary Use: Outdoor Pole/Arm-Mounted Area and Roadway Luminaires	Manufacturer: Starsteck Ltd
Reported Input Wattage: 200 W	Brand: Starsteck
Reported Light Output: 26000 lm	Model Number: SS-AR07-200W-H3-50K(Blank,(PIR),(PTC),(MS),(PIP))
Reported CCT: 5000 K	Parent: No
Reported CRI (Ra): 80	Classification: Premium
	DLC Family Code: QQQVDR
	Input Power Type: AC

240W LED SHOEBOX w/PHOTOCELL SERIES

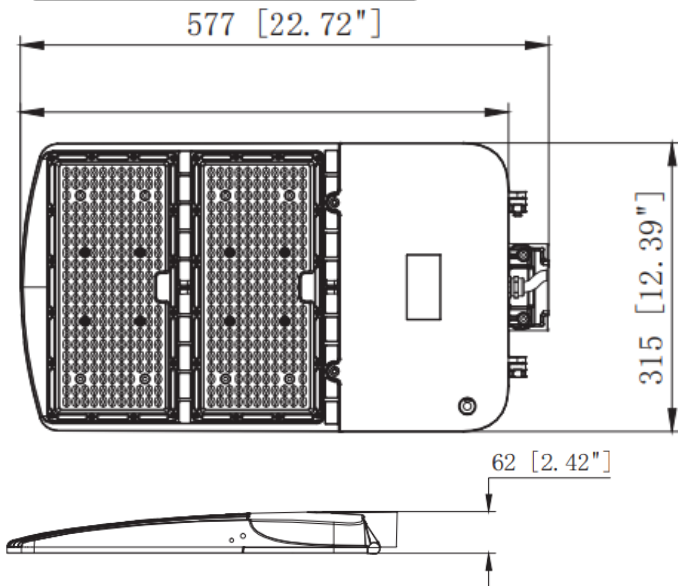
PERFORMANCE DATA



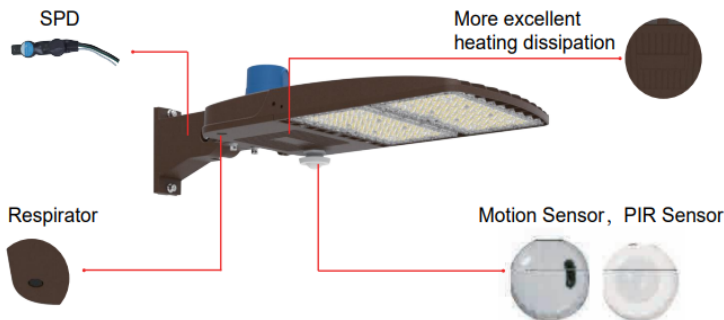
MOUNTING TYPES



DIMENSIONS



New Revolution, No Cover Plate, No Socket Base, No Shorting Cap: Saving 2USD



MODEL TECHNICAL SUMMARY

SS-AR07-240W-H3-50K

INPUT WATTS	240 Watts
INPUT VOLTAGE	120-277V
POWER FREQUENCY	50 / 60 HZ
EFFICACY	130 lm/W
LED CHIPS	LUMILIDS SMD 3030 LEDS
LED DRIVER	CONSTANT POWER
DELIVERED LUMENS	31,200 LM
COLOR TEMPERATURE	50K=5000K
CRI	70+
WORKING TEMPERATURE	-30°C - +50°C
STORAGE TEMPERATURE	-30°C - +70°C
IP RATING	IP66 / Wet Location
CERTIFICATION	UL CE FCC DLC PREMIUM
WARRANTY TIME	5 Years
OPTIONAL ACCESSORY	PC / Bi-Level Microwave Sensor / HV-480V Driver
DIMMABLE	0-10V-Dimming
BEAM ANGLE	Type III Optics (standard)
THD	≤15%
SURGE PROTECTION	10KV
POWER FACTOR	>0.90
L70 (HOURS)	50,000 Hrs.
DIMENSIONS (L*W*H) INCHES	22.72" * 12.39" * 2.42"
COATED FINISH	W=White / B=Black / B=Bronze

DLC PREMIUM LISTING

SS-AR07-240W-H3-50K(Blank,(PIR),(PTC),(MS),(PIP))

Manufacturer: Starsteck Ltd
Brand: Starsteck



PRODUCT OVERVIEW

Classification	Premium
Primary Use	Outdoor Pole/Arm-Mounted Area and Roadway Luminaires
Reported Input Wattage	240 W
Reported Light Output	31200 lm
Reported CCT	5000 K
Reported CRI (Ra)	80

PRODUCT INFORMATION

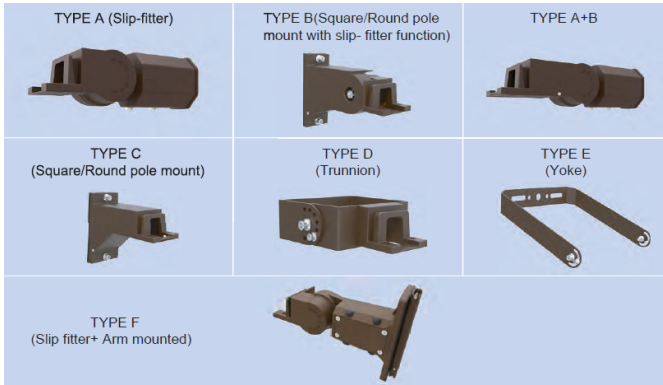
Product ID	PGT56LSR
Manufacturer	Starsteck Ltd
Brand	Starsteck
Model Number	SS-AR07-240W-H3-50K(Blank,(PIR),(PTC),(MS),(PIP))
Parent	No
Classification	Premium
DLC Family Code	QQQVDR
Input Power Type	AC

300W LED SHOEBOX w/PHOTOCELL SERIES

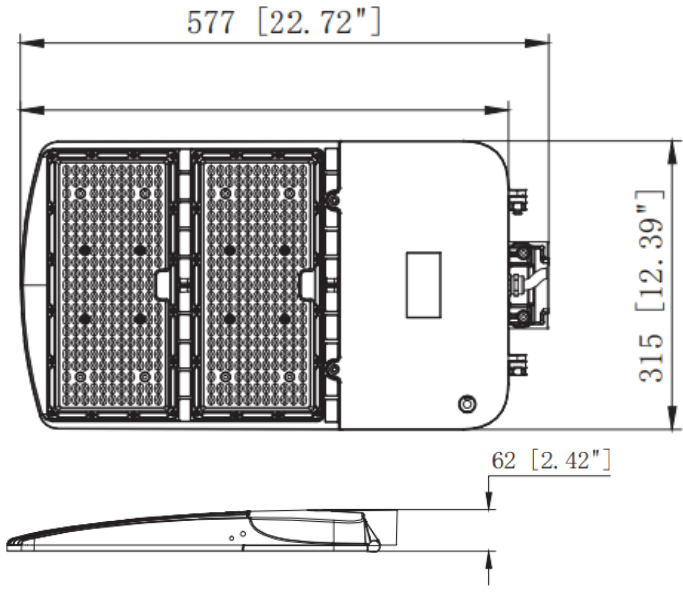
PERFORMANCE DATA



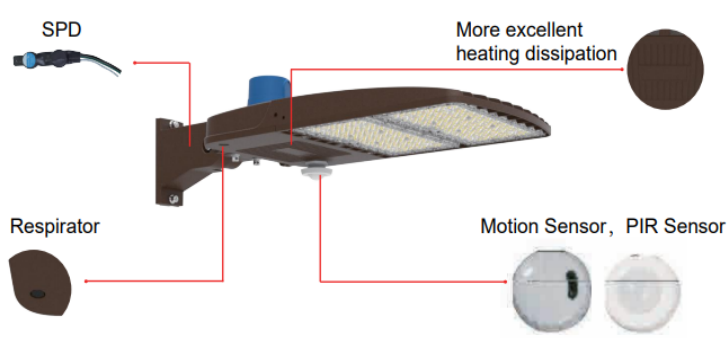
MOUNTING TYPES



DIMENSIONS



New Revolution, No Cover Plate, No Socket Base, No Shorting Cap: Saving 2USD



MODEL TECHNICAL SUMMARY

SS-AR07-300W-H3-50K	
INPUT WATTS	300 Watts
INPUT VOLTAGE	120-277V
POWER FREQUENCY	50 / 60 HZ
EFFICACY	130 lm/W
LED CHIPS	LUMILIDS SMD 3030 LEDS
LED DRIVER	CONSTANT POWER
DELIVERED LUMENS	39,000 LM
COLOR TEMPERATURE	50K=5000K
CRI	70+
WORKING TEMPERATURE	-30°C - +50°C
STORAGE TEMPERATURE	-30°C - +70°C
IP RATING	IP66 / Wet Location
CERTIFICATION	UL CE FCC DLC PREMIUM
WARRANTY TIME	5 Years
OPTIONAL ACCESSORY	PC / Bi-Level Microwave Sensor / HV-480V Driver
DIMMABLE	0-10V-Dimming
BEAM ANGLE	Type III Optics (standard)
THD	≤15%
SURGE PROTECTION	10KV
POWER FACTOR	>0.90
L70 (HOURS)	50,000 Hrs.
DIMENSIONS (L*W*H) INCHES	22.72" * 12.39" * 2.42"
COATED FINISH	W=White / B=Black / B=Bronze

DLC PREMIUM LISTING

SS-AR07-300W-H3-50K[Blank,(PIR),(PTC),(MS),(PIP)]
Manufacturer: Starstek Ltd
 Brand: Starstek

PRODUCT OVERVIEW	PRODUCT INFORMATION
Classification Premium Primary Use Outdoor Pole/Arm-Mounted Area and Roadway Luminaires Reported Input Wattage 300 W Reported Light Output 39000 lm Reported CCT 5000 K Reported CRI (Ra) 80	Product ID PIM77A0 Manufacturer Starstek Ltd Brand Starstek Model Number SS-AR07-300W-H3-50K[Blank,(PIR),(PTC),(MS),(PIP)] Parent No Classification Premium DLC Family Code QQQVDR Input Power Type AC