



| | |
|-----------|-------|
| Project: | |
| Catalog#: | |
| Notes: | Date: |
| Type: | |

LED LINEAR 3CCT TUNABLE HIGH BAY (130/LPW)



3500K
4000K
5000K
Selectable



REMOTE



Bi-Level /Daylight /Occupancy



BATTERY

APPLICATIONS

- WAREHOUSE
- FACTORY
- GYMS
- SCHOOLS
- MANUFACTURING
- CONVENTIONS
- INDUSTRIAL FACILITY
- SPORTING VENUES
- COMMERCIAL FACILITY
- BIG BOX RETAIL STORES
- LOADING DOCKS
- OTHER INDOOR APPLICATIONS



KEY FEATURES

CONSTRUCTION

Linear Body High Bay Luminaire body housing is die-cast Aluminum finished with white corrosion-free paint coating. Air-Vent design for better heat dissipation and elegant aesthetic. Designed for premium performance and rated for dry or damp locations. No-Tools Required for CCT Color Tune.

OPTICAL SYSTEM

Projects light 120° into a wide open space evenly. High Quality 2835 LED's and PC Cover Lens provide uniform & pleasant light. 3-CCT Field Tunable 3500K/4000K/5000K.

CERTIFICATION

ETL/cETL, CE and FCC compliant; DLC Listed with LM79 & LM80, IP20 Rated.

ELECTRICAL

2FT Luminaire available in 110W/130W/160W/170W
4FT Luminaire available in 160W/225W/300W/400W
High lumen efficacy 130lm/W, 0-10V Dimming Driver
Universal 100-277VAC, 50/60Hz. 2.5KV Surge Protection.
Optional: EM and Sensor (PIR, Bi-Level, Daylight), Remote.

INSTALLATION

Easy V-Hook & Chain Mount installation. Knockouts allow access to the Driver for quick connections. Flicker free, Instant Start.
Optional: Pendant Mounting.

WARRANTY

Industry leading Five (5) year manufacturer warranty in the USA. *U.S. Customer Support Line 1-(909)245-1187.*

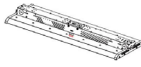
ORDERING

MODEL NUMBER(S) *Lumens shown in 5000K

| MODEL NUMBER | POWER | LUMENS PER WATT | LENGTH | LUMENS* | 3 COLOR TUNABLE | CRI | LIFE HOURS |
|-----------------|-----------|-----------------|---------|-----------|-----------------------|-----|------------|
| DM-HB-110W-3CCT | 110 Watts | 130 lm/W | 2FT | 14,300 LM | 3500K / 4000K / 5000K | 80+ | 50,000 |
| DM-HB-130W-3CCT | 130 Watts | 130 lm/W | 2FT | 16,900 LM | 3500K / 4000K / 5000K | 80+ | 50,000 |
| DM-HB-160W-3CCT | 160 Watts | 130 lm/W | 2FT/4FT | 20,800 LM | 3500K / 4000K / 5000K | 80+ | 50,000 |
| DM-HB-170W-3CCT | 170 Watts | 130 lm/W | 2FT | 22,100 LM | 3500K / 4000K / 5000K | 80+ | 50,000 |
| DM-HB-225W-3CCT | 225 Watts | 130 lm/W | 4FT | 29,250 LM | 3500K / 4000K / 5000K | 80+ | 50,000 |
| DM-HB-300W-3CCT | 300 Watts | 130 lm/W | 4FT | 39,000 LM | 3500K / 4000K / 5000K | 80+ | 50,000 |
| DM-HB-400W-3CCT | 400 Watts | 130 lm/W | 4FT | 52,000 LM | 3500K / 4000K / 5000K | 80+ | 50,000 |

110W 2FT. LED LINEAR 3CCT HIGH BAY LIGHT

PERFORMANCE DATA



ACCESSORIES

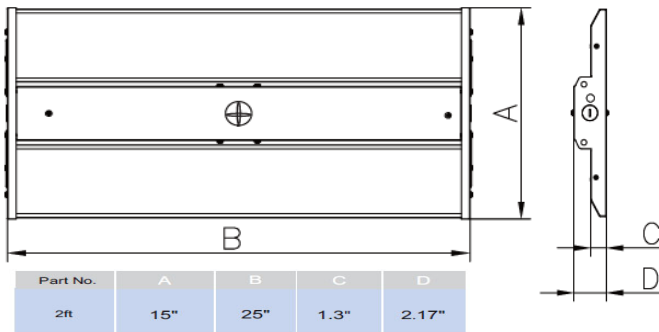


V-Hooks & Chains (Included) EM Battery Backup Bi-Level Occupancy Sensor

COMPATIBLE DIMMERS

| Manufacture | Model Number | Dimming Range | Load Switching Capacity |
|------------------|--------------|---------------|-------------------------|
| Lutron | DVSTV | 10%-100% | 450W |
| Leviton | IP70-LFZ | 10%-100% | 1200W |
| General Protecht | DMD-LED3-102 | 10%-100% | 600W |

DIMENSIONS



MODEL TECHNICAL SUMMARY

DM-HB2FT110W-3545K

| | |
|---------------------------|---|
| INPUT WATTS | 110 Watts |
| INPUT VOLTAGE | AC 120-277V |
| POWER FREQUENCY | 50 / 60 HZ |
| EFFICACY | 130 lm/W |
| LED CHIPS | SEOUL LEDS |
| LED DRIVER | CONSTANT POWER |
| DELIVERED LUMENS | 14,300 LM |
| CCT TUNABLE SWITCH | 3500K / 4000K / 5000K |
| CRI | 84 CRI |
| WORKING TEMPERATURE | -30°C - +50°C |
| STORAGE TEMPERATURE | -30°C - +60°C |
| IP RATING | IP20 Rated |
| CERTIFICATION | ETL/cETL CE FCC RoHS DLC |
| WARRANTY TIME | 5 Years |
| OPTIONAL ACCESSORY | Bi-Level Sensor / PIR / Daylight / Pendant / EM Backup / Remote |
| DIMMABLE | 0-10V Dimmable |
| BEAM ANGLE | 120° |
| THD | ≤20% |
| POWER FACTOR | >0.90 |
| L70 (HOURS) | 50,000 HRS |
| DIMENSIONS (L*W*H) INCHES | 25" * 15.00" * 2.17" |

INSTALLATION

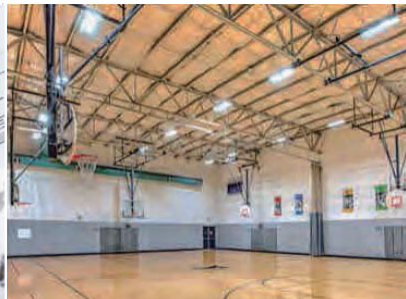
Easy Installation
SUITABLE FOR SUSPENSION MOUNTING



42" suspension mounting cable and V-hooks included.



Knockouts available for hard pipe wiring between fixtures



DLC LISTING



DM-HB2FT110W-3545K-AL
Manufacturer: Shenzhen Dimi Lighting Co., LTD
Brand: Dimi Light

| PRODUCT OVERVIEW | |
|------------------------|---|
| Classification | Standard |
| Primary Use | High-Bay Luminaires for Commercial and Industrial Buildings |
| Reported Input Wattage | 110 W |
| Reported Light Output | 14520 lm |
| Reported CCT | 3500 K |
| Reported CRI (Ra) | 80 |
| Product ID | S-807M10 |

| PRODUCT INFORMATION | |
|--------------------------------|---------------------------------|
| Qualified Product List | Solid State Lighting |
| Technical Requirements Version | 5.1 |
| Product ID | S-807M10 |
| Manufacturer | Shenzhen Dimi Lighting Co., LTD |
| Brand | Dimi Light |
| Model Number | DM-HB2FT110W-3545K-AL |
| Parent | Yes |
| Classification | Standard |

130W 2FT. LED LINEAR 3CCT HIGH BAY LIGHT

PERFORMANCE DATA



ACCESSORIES

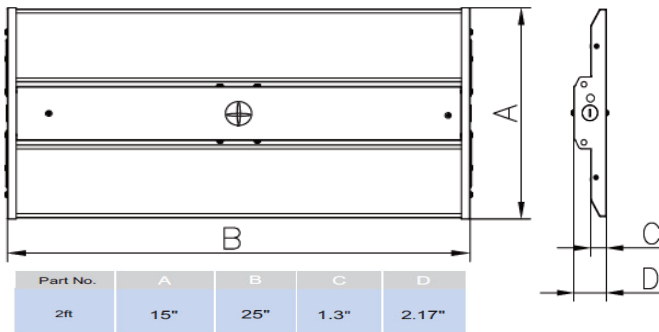


V-Hooks & Chains (Included) EM Battery Backup Bi-Level Occupancy Sensor

COMPATIBLE DIMMERS

| Manufacture | Model Number | Dimming Range | Load Switching Capacity |
|------------------|--------------|---------------|-------------------------|
| Lutron | DVSTV | 10%-100% | 450W |
| Leviton | IP70-LFZ | 10%-100% | 1200W |
| General Protecht | DMD-LED3-102 | 10%-100% | 600W |

DIMENSIONS



MODEL TECHNICAL SUMMARY

DM-HB2FT130W-3545K

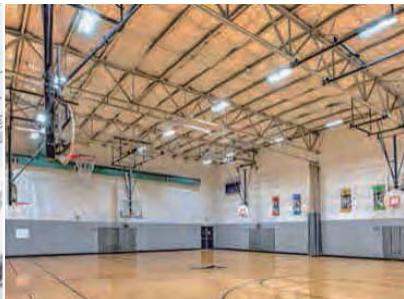
| | |
|---------------------------|---|
| INPUT WATTS | 130 Watts |
| INPUT VOLTAGE | AC 120-277V |
| POWER FREQUENCY | 50 / 60 HZ |
| EFFICACY | 130 lm/W |
| LED CHIPS | SEOUL LEDS |
| LED DRIVER | CONSTANT POWER |
| DELIVERED LUMENS | 16,900 LM |
| CCT TUNABLE SWITCH | 3500K / 4000K / 5000K |
| CRI | 84 CRI |
| WORKING TEMPERATURE | -30°C - +50°C |
| STORAGE TEMPERATURE | -30°C - +60°C |
| IP RATING | IP20 Rated |
| CERTIFICATION | ETL/cETL CE FCC RoHS DLC |
| WARRANTY TIME | 5 Years |
| OPTIONAL ACCESSORY | Bi-Level Sensor / PIR / Daylight / Pendant / EM Backup / Remote |
| DIMMABLE | 0-10V Dimmable |
| BEAM ANGLE | 120° |
| THD | ≤20% |
| POWER FACTOR | >0.90 |
| L70 (HOURS) | 50,000 HRS |
| DIMENSIONS (L*W*H) INCHES | 25" * 15.00" * 2.17" |

INSTALLATION

Easy Installation
SUITABLE FOR SUSPENSION MOUNTING



42" suspension mounting cable and V-hooks included.



DLC LISTING



DM-HB2FT130W-3545K-AL
Manufacturer: Shenzhen Dimi Lighting Co.,LTD
Brand: Dimi Light

| PRODUCT OVERVIEW | |
|------------------------|--|
| Classification | Standard |
| Primary Use | High-Bay Luminaire for Commercial and Industrial Buildings |
| Reported Input Wattage | 130 W |
| Reported Light Output | 16640 lm |
| Reported CCT | 5000 K |
| Reported CRI (Ra) | 80 |
| Product ID | 5-6A7BE |

| PRODUCT INFORMATION | |
|--------------------------------|--------------------------------|
| Qualified Product List | Solid State Lighting |
| Technical Requirements Version | 5.1 |
| Product ID | 5-6A7BE |
| Manufacturer | Shenzhen Dimi Lighting Co.,LTD |
| Brand | Dimi Light |
| Model Number | DM-HB2FT130W-3545K-AL |
| Parent | No |
| Classification | Standard |

160W 2FT/4FT LED LINEAR 3CCT HIGH BAY LIGHT

PERFORMANCE DATA



ACCESSORIES

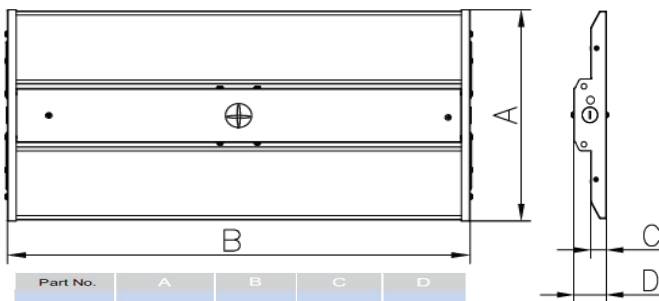


V-Hooks & Chains (Included) EM Battery Backup Bi-Level Occupancy Sensor

COMPATIBLE DIMMERS

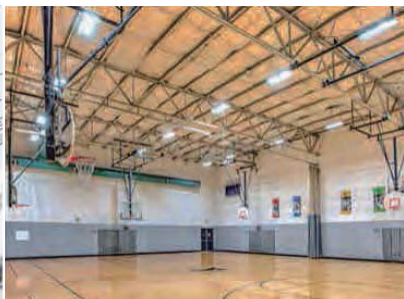
| Manufacture | Model Number | Dimming Range | Load Switching Capacity |
|------------------|--------------|---------------|-------------------------|
| Lutron | DVSTV | 10%-100% | 450W |
| Leviton | IP70-LFZ | 10%-100% | 1200W |
| General Protecht | DMD-LED3-102 | 10%-100% | 600W |

DIMENSIONS



| Part No. | A | B | C | D |
|----------|-----|-------|------|-------|
| 2ft | 15" | 25" | 1.3" | 2.17" |
| 4ft | 15" | 46.5" | 1.3" | 2.17" |

INSTALLATION



MODEL TECHNICAL SUMMARY

| | |
|---------------------------|---|
| DM-HB2FT160W-3545K | 2FT |
| DM-HB4FT160W-3545K | 4FT |
| INPUT WATTS | 160 Watts |
| INPUT VOLTAGE | AC 120-277V |
| POWER FREQUENCY | 50 / 60 HZ |
| EFFICACY | 130 lm/W |
| LED CHIPS | SEOUL LEDS |
| LED DRIVER | CONSTANT POWER |
| DELIVERED LUMENS | 20,800 LM |
| CCT TUNABLE SWITCH | 3500K / 4000K / 5000K |
| CRI | 84 CRI |
| WORKING TEMPERATURE | -30°C - +50°C |
| STORAGE TEMPERATURE | -30°C - +60°C |
| IP RATING | IP20 Rated |
| CERTIFICATION | ETL/cETL CE FCC RoHS DLC |
| WARRANTY TIME | 5 Years |
| OPTIONAL ACCESSORY | Bi-Level Sensor / PIR / Daylight / Pendant / EM Backup / Remote |
| DIMMABLE | 0-10V Dimmable |
| BEAM ANGLE | 120° |
| THD | ≤20% |
| POWER FACTOR | >0.90 |
| L70 (HOURS) | 50,000 HRS |
| DIMENSIONS (L*W*H) INCHES | 2FT: 25.0" * 15.00" * 2.17" |
| DIMENSIONS (L*W*H) INCHES | 4FT: 46.5" * 15.00" * 2.17" |

DLC LISTING



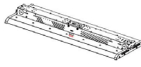
DM-HB2FT160W-3545K-AL
 Manufacturer: Shenzhen Dimi Lighting Co.LTD
 Brand: Dimi Light

| PRODUCT OVERVIEW | |
|------------------------|---|
| Classification | Standard |
| Primary Use | High-Bay Luminaires for Commercial and Industrial Buildings |
| Reported Input Wattage | 160 W |
| Reported Light Output | 19200 lm |
| Reported CCT | 3500 K |
| Reported CRI (Ra) | 80 |
| Product ID | S-VUB7YE |

| PRODUCT INFORMATION | |
|--------------------------------|-------------------------------|
| Qualified Product List | Solid State Lighting |
| Technical Requirements Version | S1 |
| Product ID | S-VUB7YE |
| Manufacturer | Shenzhen Dimi Lighting Co.LTD |
| Brand | Dimi Light |
| Model Number | DM-HB2FT160W-3545K-AL |
| Parent | No |
| Classification | Standard |

170W 2FT. LED LINEAR 3CCT HIGH BAY LIGHT

PERFORMANCE DATA



ACCESSORIES

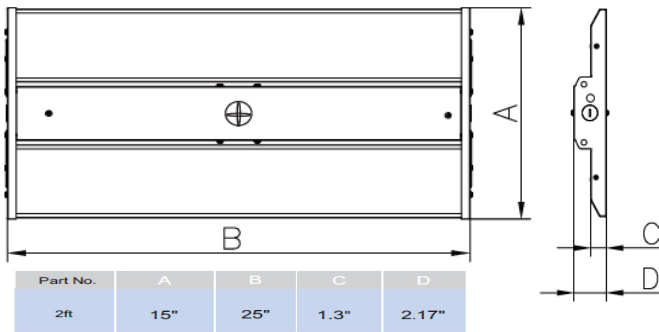


V-Hooks & Chains (Included) EM Battery Backup Bi-Level Occupancy Sensor

COMPATIBLE DIMMERS

| Manufacture | Model Number | Dimming Range | Load Switching Capacity |
|------------------|--------------|---------------|-------------------------|
| Lutron | DVSTV | 10%-100% | 450W |
| Leviton | IP70-LFZ | 10%-100% | 1200W |
| General Protecht | DMD-LED3-102 | 10%-100% | 600W |

DIMENSIONS



MODEL TECHNICAL SUMMARY

DM-HB2FT170W-3545K

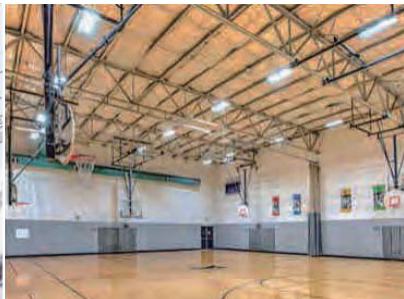
| | |
|---------------------------|---|
| INPUT WATTS | 170 Watts |
| INPUT VOLTAGE | AC 120-277V |
| POWER FREQUENCY | 50 / 60 HZ |
| EFFICACY | 130 lm/W |
| LED CHIPS | SEOUL LEDS |
| LED DRIVER | CONSTANT POWER |
| DELIVERED LUMENS | 22,100 LM |
| CCT TUNABLE SWITCH | 3500K / 4000K / 5000K |
| CRI | 84 CRI |
| WORKING TEMPERATURE | -30°C - +50°C |
| STORAGE TEMPERATURE | -30°C - +60°C |
| IP RATING | IP20 Rated |
| CERTIFICATION | ETL/cETL CE FCC RoHS DLC |
| WARRANTY TIME | 5 Years |
| OPTIONAL ACCESSORY | Bi-Level Sensor / PIR / Daylight / Pendant / EM Backup / Remote |
| DIMMABLE | 0-10V Dimmable |
| BEAM ANGLE | 120° |
| THD | ≤20% |
| POWER FACTOR | >0.90 |
| L70 (HOURS) | 50,000 HRS |
| DIMENSIONS (L*W*H) INCHES | 25" * 15.00" * 2.17" |

INSTALLATION

Easy Installation
SUITABLE FOR SUSPENSION MOUNTING



42" suspension mounting cable and V-hooks included.



DLC LISTING



DM-HB2FT170W-3545K-AL
Manufacturer: Shenzhen Dimi Lighting Co.LTD
Brand: Dimi Light

PRODUCT OVERVIEW

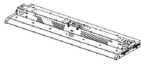
| | |
|------------------------|---|
| Classification | Standard |
| Primary Use | High-Bay Luminaires for Commercial and Industrial Buildings |
| Reported Input Wattage | 170 W |
| Reported Light Output | 20400 lm |
| Reported CCT | 3500 K |
| Reported CRI (Ra) | 80 |
| Product ID | S-21ICPL |

PRODUCT INFORMATION

| | |
|------------------|-------------------------------|
| Product ID | S-21ICPL |
| Manufacturer | Shenzhen Dimi Lighting Co.LTD |
| Brand | Dimi Light |
| Model Number | DM-HB2FT170W-3545K-AL |
| Parent | Yes |
| Classification | Standard |
| DLC Family Code | DDCLRW |
| Input Power Type | AC |

225W 4FT. LED LINEAR 3CCT HIGH BAY LIGHT

PERFORMANCE DATA



ACCESSORIES

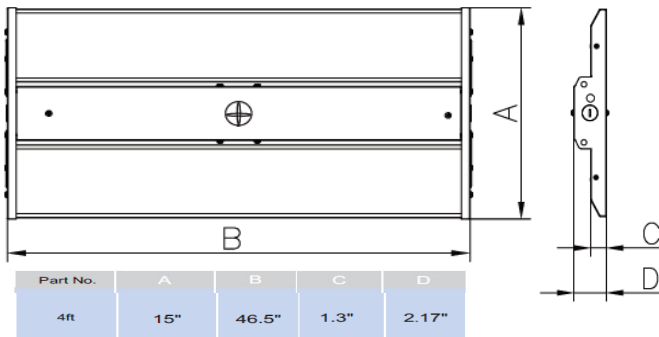


V-Hooks & Chains (Included) EM Battery Backup Bi-Level Occupancy Sensor

COMPATIBLE DIMMERS

| Manufacture | Model Number | Dimming Range | Load Switching Capacity |
|------------------|--------------|---------------|-------------------------|
| Lutron | DVSTV | 10%-100% | 450W |
| Leviton | IP70-LFZ | 10%-100% | 1200W |
| General Protecht | DMD-LED3-102 | 10%-100% | 600W |

DIMENSIONS



MODEL TECHNICAL SUMMARY

DM-HB4FT225W-3545K

| | |
|---------------------------|---|
| INPUT WATTS | 225 Watts |
| INPUT VOLTAGE | AC 120-277V |
| POWER FREQUENCY | 50 / 60 HZ |
| EFFICACY | 130 lm/W |
| LED CHIPS | SEOUL LEDS |
| LED DRIVER | CONSTANT POWER |
| DELIVERED LUMENS | 29,250 LM |
| CCT TUNABLE SWITCH | 3500K / 4000K / 5000K |
| CRI | 84 CRI |
| WORKING TEMPERATURE | -30°C - +50°C |
| STORAGE TEMPERATURE | -30°C - +60°C |
| IP RATING | IP20 Rated |
| CERTIFICATION | ETL/cETL CE FCC RoHS DLC |
| WARRANTY TIME | 5 Years |
| OPTIONAL ACCESSORY | Bi-Level Sensor / PIR / Daylight / Pendant / EM Backup / Remote |
| DIMMABLE | 0-10V Dimmable |
| BEAM ANGLE | 120° |
| THD | ≤20% |
| POWER FACTOR | >0.90 |
| L70 (HOURS) | 50,000 HRS |
| DIMENSIONS (L*W*H) INCHES | 46.5" * 15.00" * 2.17" |

INSTALLATION

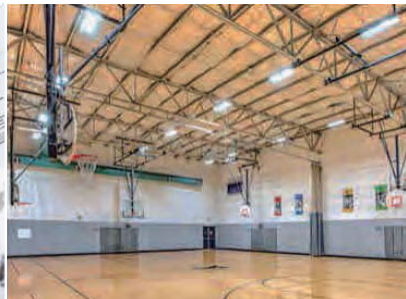
Easy Installation
SUITABLE FOR SUSPENSION MOUNTING



42" suspension mounting cable and V-hooks included.



Knockouts available for hard pipe wiring between fixtures



DLC LISTING



DM-HB4FT255W-3545K-AL
Manufacturer: Shenzhen Dimi Lighting Co., LTD
Brand: Dimi Light

PRODUCT OVERVIEW

| | |
|------------------------|---|
| Classification | Standard |
| Primary Use | High-Bay Luminaires for Commercial and Industrial Buildings |
| Reported Input Wattage | 255 W |
| Reported Light Output | 33150 lm |
| Reported CCT | 3500 K |
| Reported CRI (Ra) | 80 |
| Product ID | S-V06EL |

PRODUCT INFORMATION

| | |
|------------------|---------------------------------|
| Product ID | S-V06EL |
| Manufacturer | Shenzhen Dimi Lighting Co., LTD |
| Brand | Dimi Light |
| Model Number | DM-HB4FT255W-3545K-AL |
| Parent | No |
| Classification | Standard |
| DLC Family Code | 00DLRW |
| Input Power Type | AC |

300W 4FT. LED LINEAR 3CCT HIGH BAY LIGHT

PERFORMANCE DATA



ACCESSORIES

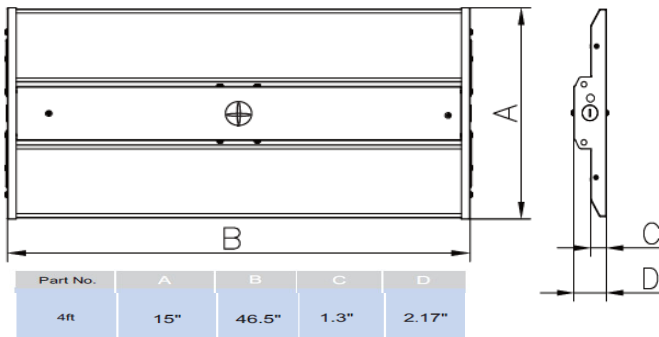


V-Hooks & Chains (Included) EM Battery Backup Bi-Level Occupancy Sensor

COMPATIBLE DIMMERS

| Manufacture | Model Number | Dimming Range | Load Switching Capacity |
|------------------|--------------|---------------|-------------------------|
| Lutron | DVSTV | 10%-100% | 450W |
| Leviton | IP70-LFZ | 10%-100% | 1200W |
| General Protecht | DMD-LED3-102 | 10%-100% | 600W |

DIMENSIONS



MODEL TECHNICAL SUMMARY

DM-HB4FT300W-3545K

| | |
|---------------------------|---|
| INPUT WATTS | 300 Watts |
| INPUT VOLTAGE | AC 120-277V |
| POWER FREQUENCY | 50 / 60 HZ |
| EFFICACY | 130 lm/W |
| LED CHIPS | SEOUL LEDS |
| LED DRIVER | CONSTANT POWER |
| DELIVERED LUMENS | 39,000 LM |
| CCT TUNABLE SWITCH | 3500K / 4000K / 5000K |
| CRI | 84 CRI |
| WORKING TEMPERATURE | -30°C - +50°C |
| STORAGE TEMPERATURE | -30°C - +60°C |
| IP RATING | IP20 Rated |
| CERTIFICATION | ETL/cETL CE FCC RoHS DLC |
| WARRANTY TIME | 5 Years |
| OPTIONAL ACCESSORY | Bi-Level Sensor / PIR / Daylight / Pendant / EM Backup / Remote |
| DIMMABLE | 0-10V Dimmable |
| BEAM ANGLE | 120° |
| THD | ≤20% |
| POWER FACTOR | >0.90 |
| L70 (HOURS) | 50,000 HRS |
| DIMENSIONS (L*W*H) INCHES | 46.5" * 15.00" * 2.17" |

INSTALLATION

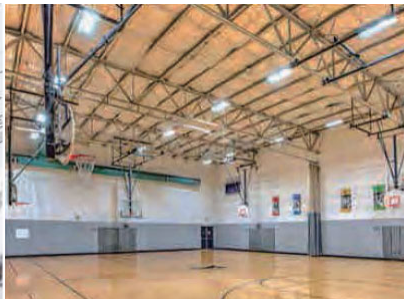
Easy Installation
SUITABLE FOR SUSPENSION MOUNTING



42" suspension mounting cable and V-hooks included.



Knockouts available for hard pipe wiring between fixtures



DLC LISTING



DM-HB4FT300W-3545K-AL
Manufacturer: Shenzhen Dimi Lighting Co.LTD
Brand: Dimi Light

PRODUCT OVERVIEW

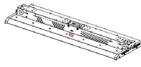
| | |
|------------------------|---|
| Classification | Standard |
| Primary Use | High-Bay Luminaires for Commercial and Industrial Buildings |
| Reported Input Wattage | 300 W |
| Reported Light Output | 36600 lm |
| Reported CCT | 3500 K |
| Reported CRI (Ra) | 80 |
| Product ID | S-NBXKD28 |

PRODUCT INFORMATION

| | |
|------------------|-------------------------------|
| Product ID | S-NBXKD28 |
| Manufacturer | Shenzhen Dimi Lighting Co.LTD |
| Brand | Dimi Light |
| Model Number | DM-HB4FT300W-3545K-AL |
| Parent | No |
| Classification | Standard |
| DLC Family Code | DDCLRW |
| Input Power Type | AC |

400W 4FT. LED LINEAR 3CCT HIGH BAY LIGHT

PERFORMANCE DATA



ACCESSORIES

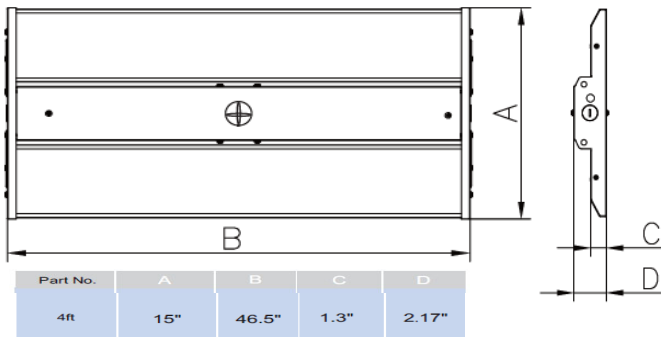


V-Hooks & Chains (Included) EM Battery Backup Bi-Level Occupancy Sensor

COMPATIBLE DIMMERS

| Manufacture | Model Number | Dimming Range | Load Switching Capacity |
|------------------|--------------|---------------|-------------------------|
| Lutron | DVSTV | 10%-100% | 450W |
| Leviton | IP70-LFZ | 10%-100% | 1200W |
| General Protecht | DMD-LED3-102 | 10%-100% | 600W |

DIMENSIONS



MODEL TECHNICAL SUMMARY

DM-HB4FT400W-3545K

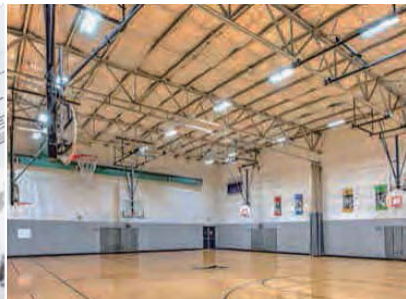
| | |
|---------------------------|---|
| INPUT WATTS | 400 Watts |
| INPUT VOLTAGE | AC 120-277V |
| POWER FREQUENCY | 50 / 60 HZ |
| EFFICACY | 130 lm/W |
| LED CHIPS | SEOUL LEDS |
| LED DRIVER | CONSTANT POWER |
| DELIVERED LUMENS | 52,000 LM |
| CCT TUNABLE SWITCH | 3500K / 4000K / 5000K |
| CRI | 84 CRI |
| WORKING TEMPERATURE | -30°C - +50°C |
| STORAGE TEMPERATURE | -30°C - +60°C |
| IP RATING | IP20 Rated |
| CERTIFICATION | ETL/cETL CE FCC RoHS DLC |
| WARRANTY TIME | 5 Years |
| OPTIONAL ACCESSORY | Bi-Level Sensor / PIR / Daylight / Pendant / EM Backup / Remote |
| DIMMABLE | 0-10V Dimmable |
| BEAM ANGLE | 120° |
| THD | ≤20% |
| POWER FACTOR | >0.90 |
| L70 (HOURS) | 50,000 HRS |
| DIMENSIONS (L*W*H) INCHES | 46.5" * 15.00" * 2.17" |

INSTALLATION

Easy Installation
SUITABLE FOR SUSPENSION MOUNTING



42" suspension mounting cable and V-hooks included.



DLC LISTING



DM-HB4FT400W-3545K-AL
Manufacturer: Shenzhen Dimi Lighting Co., LTD
Brand: Dimi Light

PRODUCT OVERVIEW

| | |
|------------------------|---|
| Classification | Standard |
| Primary Use | High-Bay Luminaires for Commercial and Industrial Buildings |
| Reported Input Wattage | 400 W |
| Reported Light Output | 48000 lm |
| Reported CCT | 3500 K |
| Reported CRI (Ra) | 80 |
| Product ID | S-LUGBEZ |

PRODUCT INFORMATION

| | |
|------------------|---------------------------------|
| Product ID | S-LUGBEZ |
| Manufacturer | Shenzhen Dimi Lighting Co., LTD |
| Brand | Dimi Light |
| Model Number | DM-HB4FT400W-3545K-AL |
| Parent | No |
| Classification | Standard |
| DLC Family Code | DDCLRW |
| Input Power Type | AC |