



Project: _____

Catalog#: _____

Notes: _____

Date: _____

Type: _____

LED LINEAR HIGH BAY LIGHT (150LPW)



SENSOR



REMOTE



BATTERY

APPLICATIONS

- WAREHOUSE
- FACTORY
- GYMS
- SCHOOLS
- MANUFACTURING
- CONVENTIONS
- INDUSTRIAL FACILITY
- OFFICE BUILDINGS
- COMMERCIAL FACILITY
- BIG BOX RETAIL STORES
- LOADING DOCKS
- OTHER INDOOR APPLICATIONS



KEY FEATURES

CONSTRUCTION

High Bay Luminaire body is die-cast iron housing finished with white corrosion-free powder coating. Air-flow perforations for cool daily operation. Lightweight and IP20 Rated for dry or damp locations.

OPTICAL SYSTEM

Frosted PMMA Lens comes standard and projects light into a wide open space evenly. Fully sealed against dirt & bugs. Philips 3030 feature sets the perfect light. UGR<28.

CERTIFICATION

UL/cUL Listed, FCC compliant; with LM79 & LM80, IP20 Rated.

ELECTRICAL

Luminaire is available in 80W / 165W / 220W / 225W / 320W High lumen efficacy 130+lm/W, 0-10V Dimming, Isolated Driver Universal 100-277VAC, 50/60Hz. 6-10KV Surge Protection. Optional: EM Battery, Sensor (PIR, Bi-Level, Daylight), & 480V.

INSTALLATION

Easy V-Hook & Chain Mount installation. Knockouts allow access to the Driver for quick connections. 0-10V Dimming Wires are Purple & Grey. Flicker free. CCT: 5000K.

WARRANTY

Industry leading Five (5) year manufacturer warranty in the USA..

ORDERING

MODEL NUMBER(S)

MODEL NUMBER	POWER	LUMENS PER WATT	LUMENS	LENGTH	COLOR TEMPERATURE	CRI	LIFE HOURS
GL-HB1-80W-2	80 WATTS	150 LPW	12,000LM	2FT	5000K	80+	50,000HRS.
GL-HB1-185W-2	165 WATTS	150 LPW	24,750 LM	2FT	5000K	80+	50,000HRS.
GL-HB1-220W-2	220 WATTS	150 LPW	33,000 LM	2FT	5000K	80+	50,000HRS.
GL-HB1-165W-4	165 WATTS	150 LPW	24,750 LM	4FT	5000K	80+	50,000HRS.
GL-HB1-225W-4	225 WATTS	150 LPW	33,750 LM	4FT	5000K	80+	50,000HRS.
GL-HB1-320W-4	320 WATTS	150 LPW	48,000 LM	4FT	5000K	80+	50,000HRS.

80W LED LINEAR HIGH BAY LIGHT

PERFORMANCE DATA

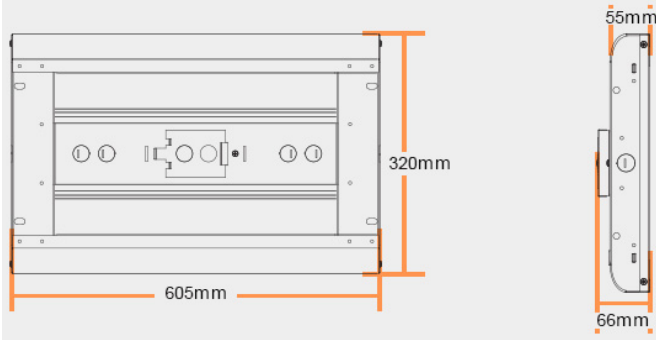


ACCESSORIES



V-Hooks & Chains (Included) EM Battery Backup Bi-Level Occupancy Sensor

DIMENSIONS



• Flicker free, 1-10V dimmable LED driver

MODEL TECHNICAL SUMMARY

GL-HB1-80W-2	
INPUT WATTS	80 Watts
INPUT VOLTAGE	AC 120-277V
POWER FREQUENCY	50 / 60 HZ
EFFICACY	150 LPW
LED CHIPS	SMD3030
LED DRIVER	CONSTANT POWER
DELIVERED LUMENS	12,000 LM
COLOR TEMPERATURE	5000K
CRI	84
WORKING TEMPERATURE	-30°C - +50°C
STORAGE TEMPERATURE	-30°C - +60°C
IP RATING	IP20 Rated
CERTIFICATION	UL RoHS CE FCC LISTED
WARRANTY TIME	5 Years
OPTIONAL ACCESSORY	Bi-Level Sensor / PIR / Daylight / EM Backup
DIMMABLE	0-10V Dimmable
BEAM ANGLE	120°
THD	≤15%
POWER FACTOR	>0.90
L70 (HOURS)	50,000
DIMENSIONS (L*W*H) INCHES	23.81" * 12.59" * 2.59"

165W LED LINEAR HIGH BAY LIGHT

PERFORMANCE DATA

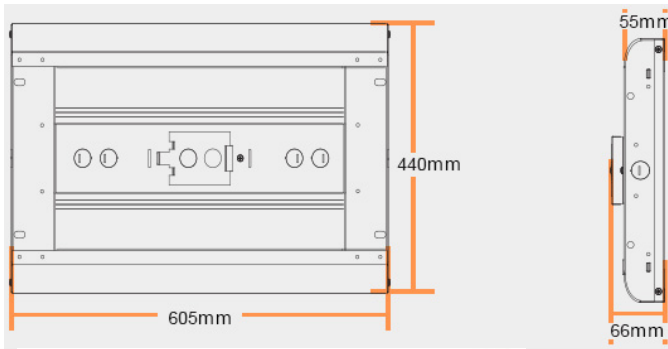


ACCESSORIES



V-Hooks & Chains (Included) EM Battery Backup Bi-Level Occupancy Sensor

DIMENSIONS



- Flicker free, 1-10V dimmable LED driver

MODEL TECHNICAL SUMMARY

GL-HB1-165W-2

INPUT WATTS	165 Watts
INPUT VOLTAGE	AC 120-277V
POWER FREQUENCY	50 / 60 HZ
EFFICACY	150 LPW
LED CHIPS	SMD3030
LED DRIVER	CONSTANT POWER
DELIVERED LUMENS	24,750 LM
COLOR TEMPERATURE	5000K
CRI	84
WORKING TEMPERATURE	-30°C - +50°C
STORAGE TEMPERATURE	-30°C - +60°C
IP RATING	IP20 Rated
CERTIFICATION	UL RoHS CE FCC LISTED
WARRANTY TIME	5 Years
OPTIONAL ACCESSORY	Bi-Level Sensor / PIR / Daylight / EM Backup
DIMMABLE	0-10V Dimmable
BEAM ANGLE	120°
THD	≤15%
POWER FACTOR	>0.90
L70 (HOURS)	50,000
DIMENSIONS (L*W*H) INCHES	23.81" * 17.3" * 2.59"

220W LED LINEAR HIGH BAY LIGHT

PERFORMANCE DATA

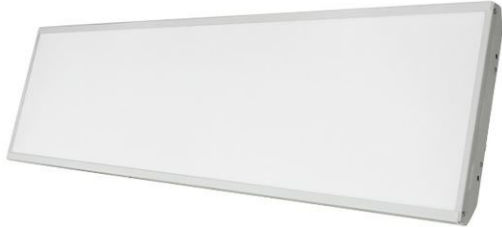
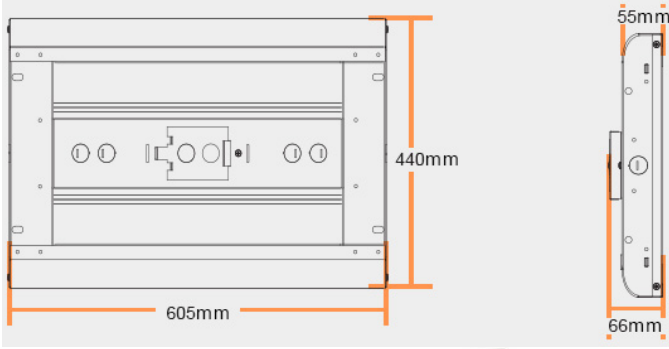


ACCESSORIES



V-Hooks & Chains (Included) EM Battery Backup Bi-Level Occupancy Sensor

DIMENSIONS



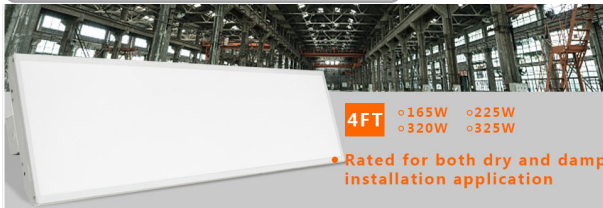
• Flicker free, 1-10V dimmable LED driver

MODEL TECHNICAL SUMMARY

GL-HB1-220W-2	
INPUT WATTS	220 Watts
INPUT VOLTAGE	AC 120-277V
POWER FREQUENCY	50 / 60 HZ
EFFICACY	150 LPW
LED CHIPS	SMD3030
LED DRIVER	CONSTANT POWER
DELIVERED LUMENS	33,000 LM
COLOR TEMPERATURE	5000K
CRI	84
WORKING TEMPERATURE	-30°C - +50°C
STORAGE TEMPERATURE	-30°C - +60°C
IP RATING	IP20 Rated
CERTIFICATION	UL RoHS CE FCC LISTED
WARRANTY TIME	5 Years
OPTIONAL ACCESSORY	Bi-Level Sensor / PIR / Daylight / EM Backup
DIMMABLE	0-10V Dimmable
BEAM ANGLE	120°
THD	≤15%
POWER FACTOR	>0.90
L70 (HOURS)	50,000
DIMENSIONS (L*W*H) INCHES	23.81" * 17.3" * 2.59"

165W LED LINEAR HIGH BAY LIGHT

PERFORMANCE DATA

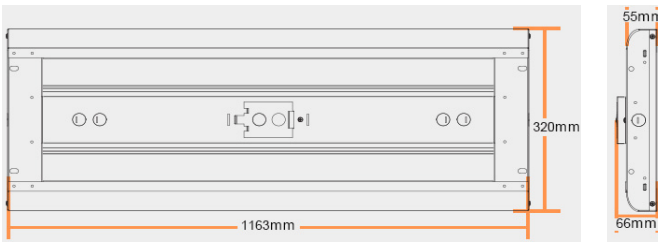


ACCESSORIES



V-Hooks & Chains (Included) EM Battery Backup Bi-Level Occupancy Sensor

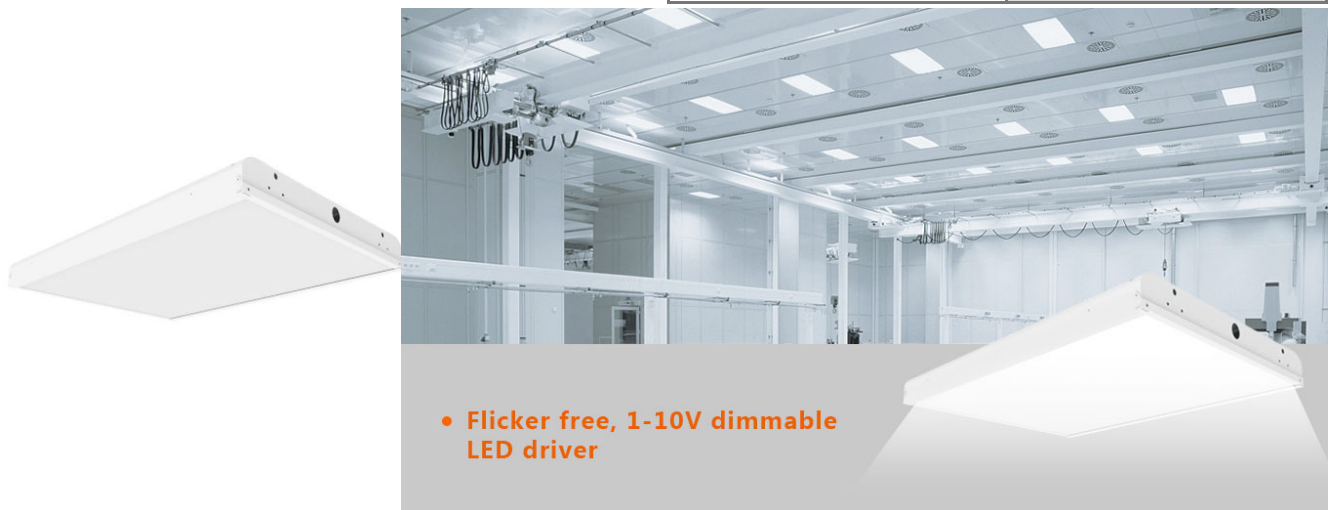
DIMENSIONS



MODEL TECHNICAL SUMMARY

GL-HB1-165W-4

INPUT WATTS	165 Watts
INPUT VOLTAGE	AC 120-277V
POWER FREQUENCY	50 / 60 HZ
EFFICACY	150 LPW
LED CHIPS	SMD3030
LED DRIVER	CONSTANT POWER
DELIVERED LUMENS	24,750 LM
COLOR TEMPERATURE	5000K
CRI	84
WORKING TEMPERATURE	-30°C - +50°C
STORAGE TEMPERATURE	-30°C - +60°C
IP RATING	IP20 Rated
CERTIFICATION	UL RoHS CE FCC LISTED
WARRANTY TIME	5 Years
OPTIONAL ACCESSORY	Bi-Level Sensor / PIR / Daylight / EM Backup
DIMMABLE	0-10V Dimmable
BEAM ANGLE	120°
THD	≤15%
POWER FACTOR	>0.90
L70 (HOURS)	50,000
DIMENSIONS (L*W*H) INCHES	45.78" * 12.59" * 2.59"



• Flicker free, 1-10V dimmable LED driver

225W LED LINEAR HIGH BAY LIGHT

PERFORMANCE DATA

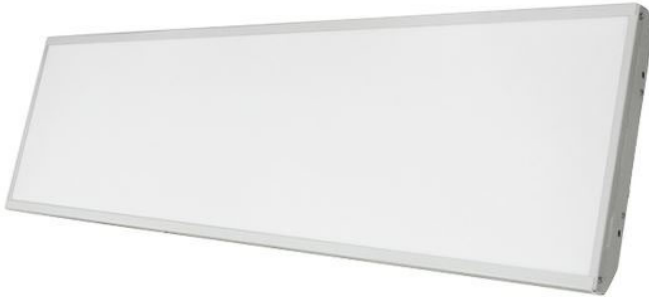
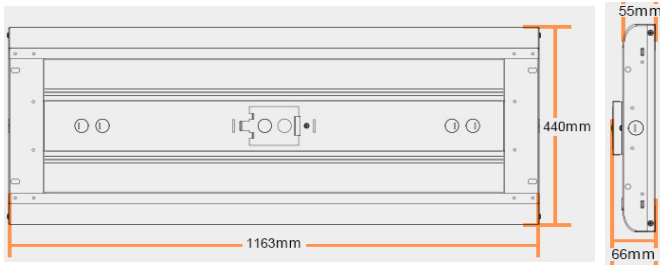


ACCESSORIES



V-Hooks & Chains (Included) EM Battery Backup Bi-Level Occupancy Sensor

DIMENSIONS



MODEL TECHNICAL SUMMARY

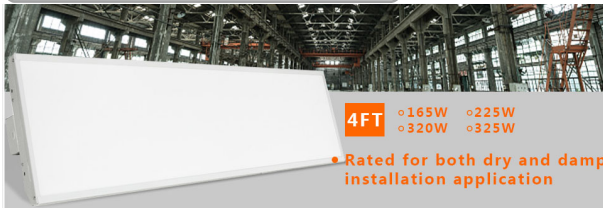
GL-HB1-225W-4	
INPUT WATTS	225 Watts
INPUT VOLTAGE	AC 120-277V
POWER FREQUENCY	50 / 60 HZ
EFFICACY	150 LPW
LED CHIPS	SMD3030
LED DRIVER	CONSTANT POWER
DELIVERED LUMENS	33,750 LM
COLOR TEMPERATURE	5000K
CRI	84
WORKING TEMPERATURE	-30°C - +50°C
STORAGE TEMPERATURE	-30°C - +60°C
IP RATING	IP20 Rated
CERTIFICATION	UL RoHS CE FCC LISTED
WARRANTY TIME	5 Years
OPTIONAL ACCESSORY	Bi-Level Sensor / PIR / Daylight / EM Backup
DIMMABLE	0-10V Dimmable
BEAM ANGLE	120°
THD	≤15%
POWER FACTOR	>0.90
L70 (HOURS)	50,000
DIMENSIONS (L*W*H) INCHES	45.78" * 17.32" * 2.59"



• Flicker free, 1-10V dimmable LED driver

320W LED LINEAR HIGH BAY LIGHT

PERFORMANCE DATA

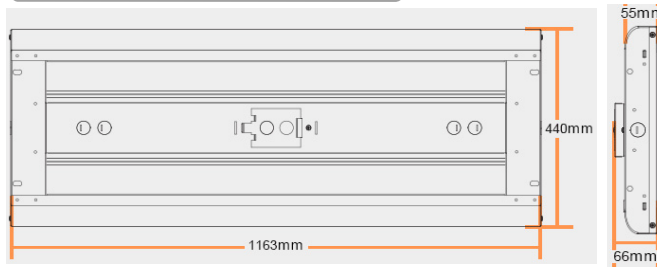


ACCESSORIES



V-Hooks & Chains (Included) EM Battery Backup Bi-Level Occupancy Sensor

DIMENSIONS



MODEL TECHNICAL SUMMARY

GL-HB1-320W-4

INPUT WATTS	320 Watts
INPUT VOLTAGE	AC 120-277V
POWER FREQUENCY	50 / 60 HZ
EFFICACY	150 LPW
LED CHIPS	SMD3030
LED DRIVER	CONSTANT POWER
DELIVERED LUMENS	48,000 LM
COLOR TEMPERATURE	5000K
CRI	84
WORKING TEMPERATURE	-30°C - +50°C
STORAGE TEMPERATURE	-30°C - +60°C
IP RATING	IP20 Rated
CERTIFICATION	UL RoHS CE FCC LISTED
WARRANTY TIME	5 Years
OPTIONAL ACCESSORY	Bi-Level Sensor / PIR / Daylight / EM Backup
DIMMABLE	0-10V Dimmable
BEAM ANGLE	120°
THD	≤15%
POWER FACTOR	>0.90
L70 (HOURS)	50,000
DIMENSIONS (L*W*H) INCHES	45.78" * 17.32" * 2.59"



• Flicker free, 1-10V dimmable LED driver