



| | |
|-----------|-------|
| Project: | |
| Catalog#: | |
| Notes: | Date: |
| Type: | |

LED UFO HIGH BAY LIGHT with MOTION SENSOR



REMOTE CONTROLLER



EM Battery Backup

KEY FEATURES

CONSTRUCTION

LED UFO High Bay Luminaire body is die-cast Aluminum housing finished with Black corrosion-free powder coating. IP65 Rated for dry & water resistant for wet locations. 6' Cord built in with IP67 Connectors.

OPTICAL SYSTEM

Shatterproof Type I Optics come standard and projects light into a wide open space evenly. Fully sealed against dirt & bugs.

CERTIFICATION

UL Listed, FCC compliant; with LM79 & LM80, IP65 Rated.

APPLICATIONS

- WAREHOUSES
- FACTORY
- RETAIL
- SCHOOLS
- CHURCHES
- STORAGES
- AIRPORT HANGARS
- GYMNASIUMS
- HIGH CEILINGS
- GARAGES
- TASK LIGHTING
- OTHER LARGE AREAS



ELECTRICAL

Luminaire is available in 100W/160W/200W/240W High lumen efficacy 150+lm/W, 0-10V Dimming, Isolated Driver Built-In Programmable Bi-Level Sensor. Universal 100-277VAC, 50/60Hz. 4KV Surge Protection. Optional: EM Battery / Remote

INSTALLATION

Easy hook installation or optional Yoke Mount. 0-10V Dimming Wires are Purple & Grey. Flicker free. CCT: 4000K or 5000K.

WARRANTY

Industry leading Five (5) year manufacturer warranty in the USA..

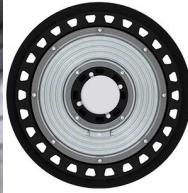
ORDERING

MODEL NUMBER(S)

| MODEL NUMBER | POWER | LUMENS PER WATT | LUMENS | COLOR TEMPERATURE | CRI | LIFE HOURS |
|---------------|-----------|-----------------|-----------|-------------------|-----|-------------|
| GL-UFO-Y1-100 | 100 WATTS | 150 LPW | 15,000 LM | 4000K / 5000K | 80+ | 75,000 HRS. |
| GL-UFO-Y2-160 | 160 WATTS | 150 LPW | 24,000 LM | 4000K / 5000K | 80+ | 75,000 HRS. |
| GL-UFO-Y2-200 | 200 WATTS | 150 LPW | 30,000 LM | 4000K / 5000K | 80+ | 75,000 HRS. |
| GL-UFO-Y2-240 | 240 WATTS | 150 LPW | 36,000 LM | 4000K / 5000K | 80+ | 75,000 HRS. |

100W LED UFO HIGH BAY w/MOTION SENSOR

PERFORMANCE DATA



ACCESSORIES

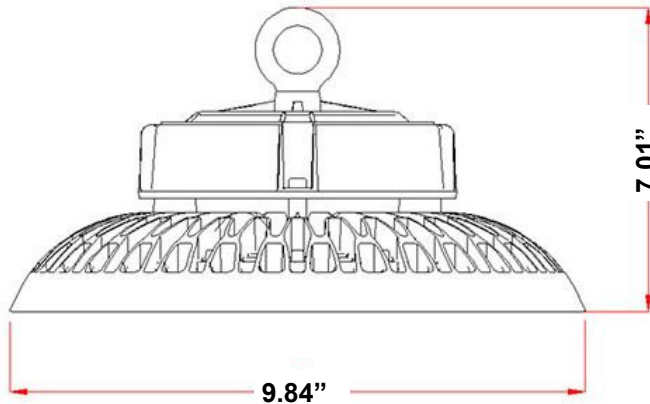


REMOTE CONTROLLER



EM Battery Backup

DIMENSIONS



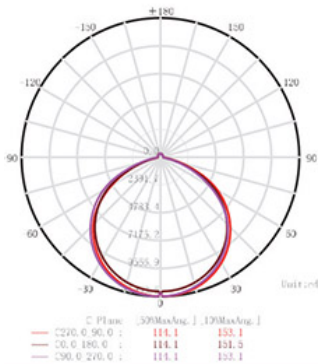
MODEL TECHNICAL SUMMARY

GL-UFO-Y1-100-H

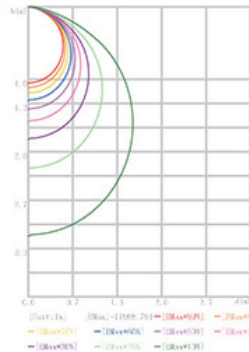
| | |
|---------------------------|--|
| INPUT WATTS | 100 Watts |
| INPUT VOLTAGE | AC 120-277V |
| POWER FREQUENCY | 50 / 60 HZ |
| EFFICACY | 150 LPW |
| LED CHIPS | SMD 3030 |
| LED DRIVER | CONSTANT POWER |
| DELIVERED LUMENS | 15,000 LM |
| COLOR TEMPERATURE | 4000K / 5000K |
| CRI | 80+ |
| WORKING TEMPERATURE | -30°C - +54°C |
| STORAGE TEMPERATURE | -30°C - +60°C |
| IP RATING | IP65 Rated |
| CERTIFICATION | UL CE FCC |
| WARRANTY TIME | 5 Years |
| OPTIONAL ACCESSORY | 90 Min. EM Backup / Remote Controller / Yoke Mount |
| DIMMABLE | 0-10V Dimmable |
| BEAM ANGLE | 120° |
| THD | <15% |
| POWER FACTOR | >0.90 |
| L70 (HOURS) | 50,000 |
| DIMENSIONS (L*W*H) INCHES | 9.84" * 9.84" * 7.01" |

PHOTOMETRICS

C Plane Distribution Diagram



C0 Space ISO Illuminance Curve

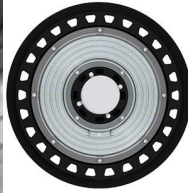


HOOK MOUNT TOP VIEW



160W LED UFO HIGH BAY w/MOTION SENSOR

PERFORMANCE DATA



ACCESSORIES

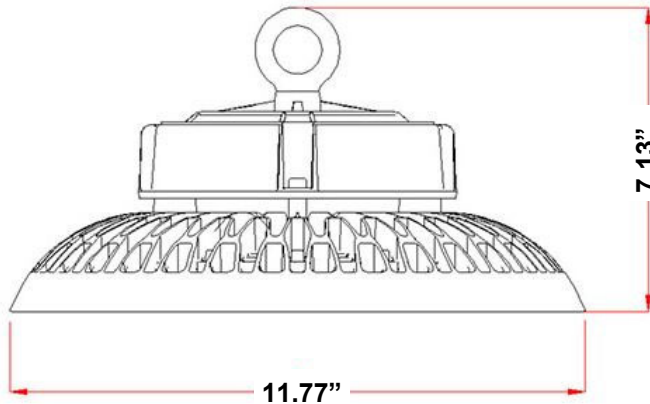


REMOTE CONTROLLER



EM BATTERY BACKUP

DIMENSIONS



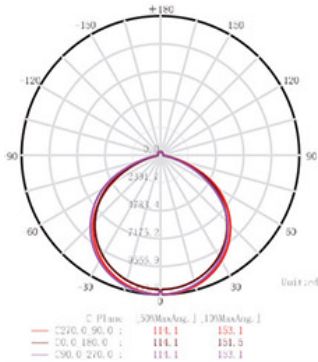
MODEL TECHNICAL SUMMARY

GL-UFO-Y2-160-H

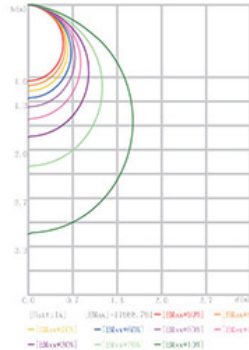
| | |
|---------------------------|--|
| INPUT WATTS | 160 Watts |
| INPUT VOLTAGE | AC 120-277V |
| POWER FREQUENCY | 50 / 60 HZ |
| EFFICACY | 150 LPW |
| LED CHIPS | SMD 3030 |
| LED DRIVER | CONSTANT POWER |
| DELIVERED LUMENS | 24,000 LM |
| COLOR TEMPERATURE | 4000K / 5000K |
| CRI | 80+ |
| WORKING TEMPERATURE | -30°C - +54°C |
| STORAGE TEMPERATURE | -30°C - +60°C |
| IP RATING | IP65 Rated |
| CERTIFICATION | UL CE FCC |
| WARRANTY TIME | 5 Years |
| OPTIONAL ACCESSORY | 90 Min. EM Backup / Remote Controller / Yoke Mount |
| DIMMABLE | 0-10V Dimmable |
| BEAM ANGLE | 120° |
| THD | <15% |
| POWER FACTOR | >0.90 |
| L70 (HOURS) | 50,000 |
| DIMENSIONS (L*W*H) INCHES | 11.77" * 11.77" * 7.13" |

PHOTOMETRICS

C Plane Distribution Diagram



C0 Space ISO Illuminance Curve

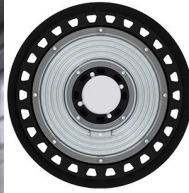


HOOK MOUNT TOP VIEW



200W LED UFO HIGH BAY w/MOTION SENSOR

PERFORMANCE DATA



ACCESSORIES

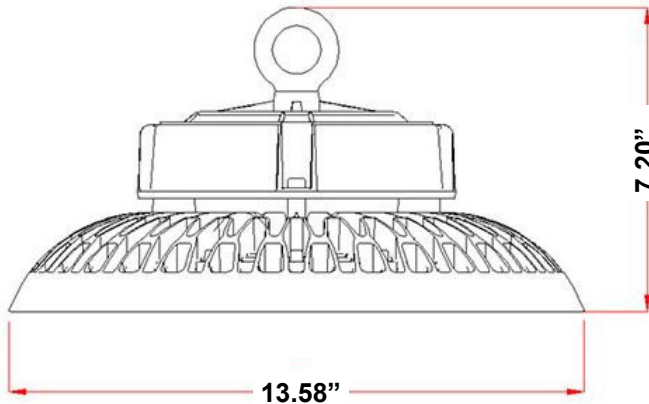


REMOTE CONTROLLER



EM BATTERY BACKUP

DIMENSIONS



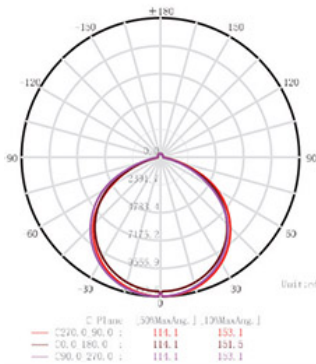
MODEL TECHNICAL SUMMARY

GL-UFO-Y2-200-H

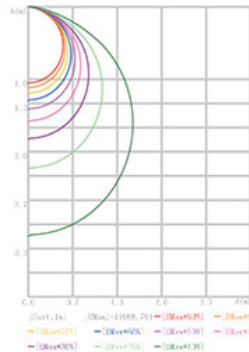
| | |
|---------------------------|--|
| INPUT WATTS | 200 Watts |
| INPUT VOLTAGE | AC 120-277V |
| POWER FREQUENCY | 50 / 60 HZ |
| EFFICACY | 150 LPW |
| LED CHIPS | SMD 3030 |
| LED DRIVER | CONSTANT POWER |
| DELIVERED LUMENS | 30,000 LM |
| COLOR TEMPERATURE | 4000K / 5000K |
| CRI | 80+ |
| WORKING TEMPERATURE | -30°C - +54°C |
| STORAGE TEMPERATURE | -30°C - +60°C |
| IP RATING | IP65 Rated |
| CERTIFICATION | UL CE FCC |
| WARRANTY TIME | 5 Years |
| OPTIONAL ACCESSORY | 90 Min. EM Backup / Remote Controller / Yoke Mount |
| DIMMABLE | 0-10V Dimmable |
| BEAM ANGLE | 120° |
| THD | <15% |
| POWER FACTOR | >0.90 |
| L70 (HOURS) | 50,000 |
| DIMENSIONS (L*W*H) INCHES | 13.58" * 13.58" * 7.20" |

PHOTOMETRICS

C Plane Distribution Diagram



C0 Space ISO Illuminance Curve

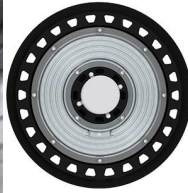


HOOK MOUNT TOP VIEW



240W LED UFO HIGH BAY w/MOTION SENSOR

PERFORMANCE DATA



ACCESSORIES

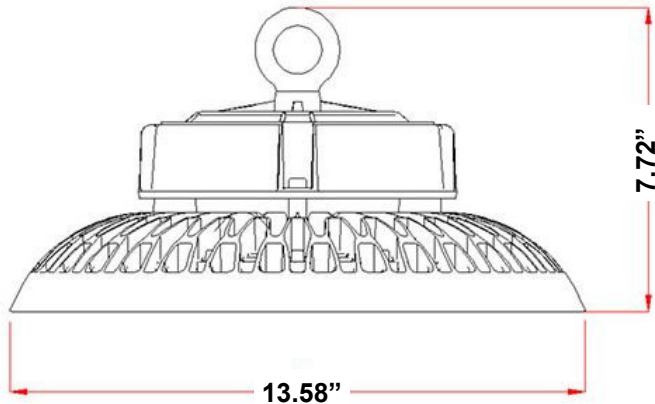


REMOTE CONTROLLER



EM BATTERY BACKUP

DIMENSIONS



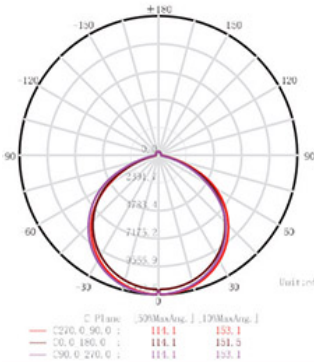
MODEL TECHNICAL SUMMARY

GL-UFO-Y2-240-H

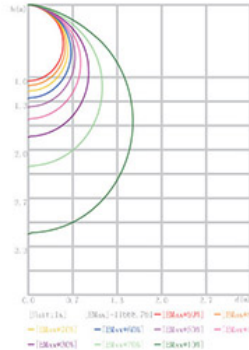
| | |
|---------------------------|--|
| INPUT WATTS | 240 Watts |
| INPUT VOLTAGE | AC 120-277V |
| POWER FREQUENCY | 50 / 60 HZ |
| EFFICACY | 150 LPW |
| LED CHIPS | SMD 3030 |
| LED DRIVER | CONSTANT POWER |
| DELIVERED LUMENS | 36,000 LM |
| COLOR TEMPERATURE | 4000K / 5000K |
| CRI | 80+ |
| WORKING TEMPERATURE | -30°C - +54°C |
| STORAGE TEMPERATURE | -30°C - +60°C |
| IP RATING | IP65 Rated |
| CERTIFICATION | UL CE FCC |
| WARRANTY TIME | 5 Years |
| OPTIONAL ACCESSORY | 90 Min. EM Backup / Remote Controller / Yoke Mount |
| DIMMABLE | 0-10V Dimmable |
| BEAM ANGLE | 120° |
| THD | <15% |
| POWER FACTOR | >0.90 |
| L70 (HOURS) | 50,000 |
| DIMENSIONS (L*W*H) INCHES | 13.58" * 13.58" * 7.72" |

PHOTOMETRICS

C Plane Distribution Diagram



C0 Space ISO Illuminance Curve



HOOK MOUNT TOP VIEW

